

Brand : HANSGROHE, Germany  
 Name : Exafill Finish Set Bath Filler, Waste and Overflow Set  
 Item Code : 58127.000  
 Designer : Hansgrohe  
 Color / Finish : Chrome  
 Dimensions :

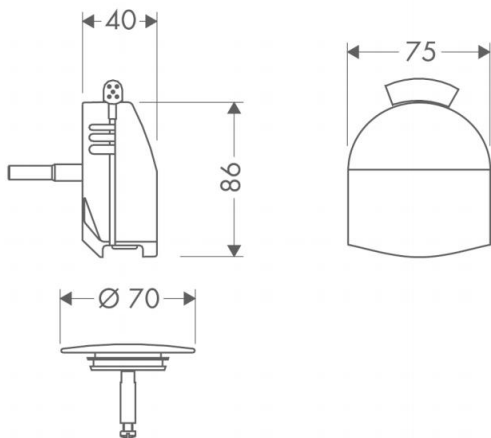


**Product info**

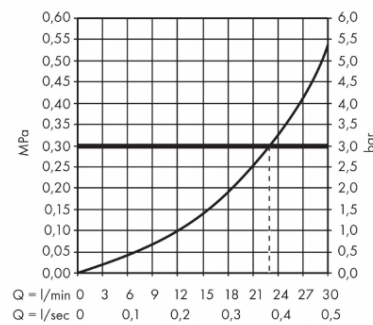
- Consists of: cover, security plug
- TÜV certified
- Suitable for standard and special bath tubs
- Triple aerator
- Jet former can be adjusted by 20°
- Flow rate 38 l/min

**Add-on**

- 1 x 58125.180 for standard tubs
- 1 x 58126.180 for special tubs



**Flowchart**



Flushing of pipe must be done before fittings are installed. Failure to do so voids the warranty.

Follow cleaning instructions and avoid using any harmful chemicals.

All information is for reference only. Installation shall always be based on the specs provided with actual delivered items.

For more info, visit [www.kuysen.com](http://www.kuysen.com)