
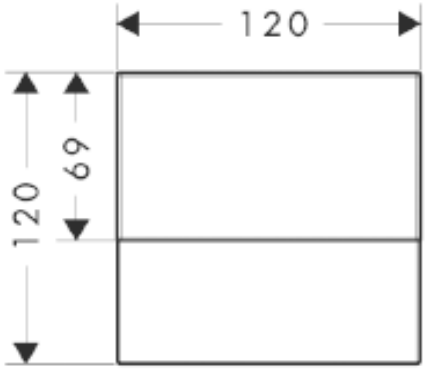
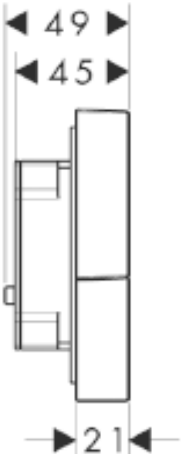


## SPECIFICATION SHEET - fittings

<b>BRAND:</b>	<b>AXOR<sup>®</sup></b>	<b>Product Photo:</b>  
<b>ORIGIN:</b>	Germany	
<b>SERIES:</b>	<b>Starck X Shower Collection</b>	
<b>PRODUCT DESCRIPTION:</b>	Lighting module combination of corrugated glass & metal with power LED, transformer (3w) and connection cable 7m	
<b>MODEL No.</b>	40871.000	
<b>FINISH/COLOUR:</b>	Chrome-plated	
<b>DIMENSIONS:</b>	120mm x 120mm	
<b>OPTIONAL MATCHING PARTS:</b>		

**Technical Informations:**

<b>REMINDER:</b>	Do not use cleaners containing abrasive cleansers, ammonia, bleach, acids, waxes, alcohol, solvents or other products not recommended for chrome.
	All information is for reference only, installation shall always be based on the actual product delivered.