

Brand : TEKA, Spain  
 Name : ADVAND / Built-in steam oven HKL-940S

Item Code : 4058.9101

Color/Finish: Stainless Steel Fingerprint Proof

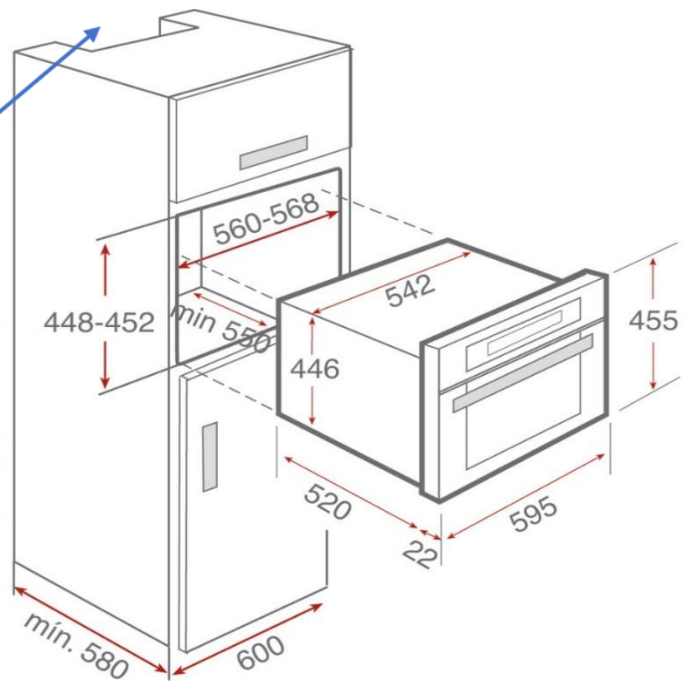
Dimensions : Overall (LxWxH in cm)  
 59.5 x 54.2 x 45.5 cm

Product info:

- Capacity: 38 litres
- Digital display
- Boiling temperature (40 °, 80 °, 100 ° C)
- Pop-up control knobs
- 3 Temperature output
- Removable 1.4 liter water tank
- Water indicator
- forced-ventilation
- Wattage: 3268 W
- Voltage: 220V / 50 Hz
- Phase: single+grounding



Ventilation duct min. 500 cm<sup>2</sup>



Follow cleaning instructions and avoid using any harmful chemicals.

All information is for reference only. Installation shall always be based on the specs provided with actual delivered items.

For more info, visit [www.kuysen.com](http://www.kuysen.com)