

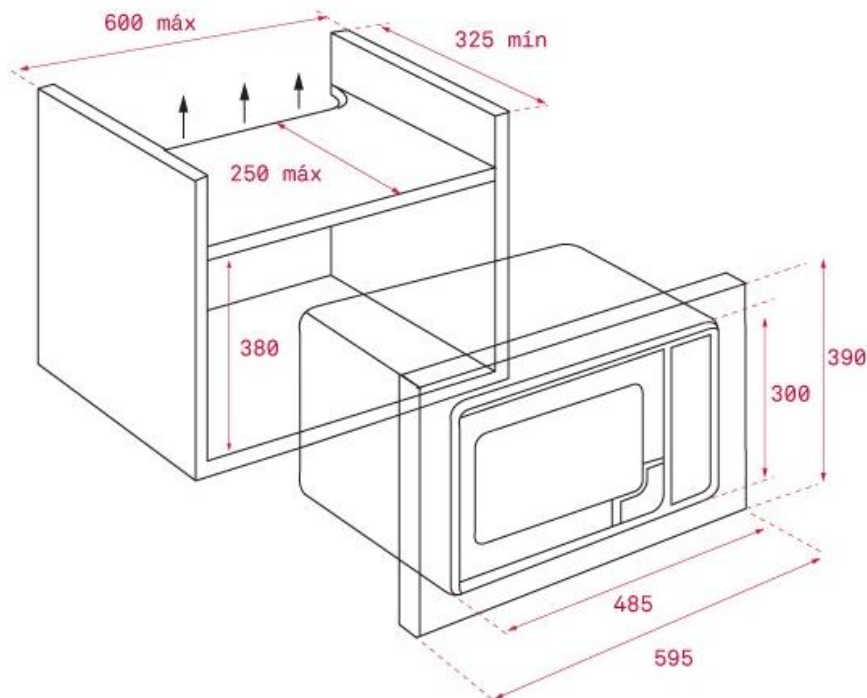


Brand : TEKA, Spain  
 Name : OVEN / ML.820 BIS L  
 Microwave + Grill - built in 20 L.

Item Code : 4058.4202  
 Color/Finish: Stainless Steel Fingerprint Proof  
 Dimensions : Overall (LxWxH in cm)  
 59.5 x 32.5 x 39 cm

Product info:

- Touch Control panel with TFT white display
- 5 power levels 700w, 3 cooking functions
- double glazed door
- stainless steel inner cavity
- Quartz Grill 1000W
- left door opening
- Wattage: 1100 W
- Voltage: 220V / 50 Hz
- Phase: single+grounding



Follow cleaning instructions and avoid using any harmful chemicals.

All information is for reference only. Installation shall always be based on the specs provided with actual delivered items.

For more info, visit [www.kuysen.com](http://www.kuysen.com)