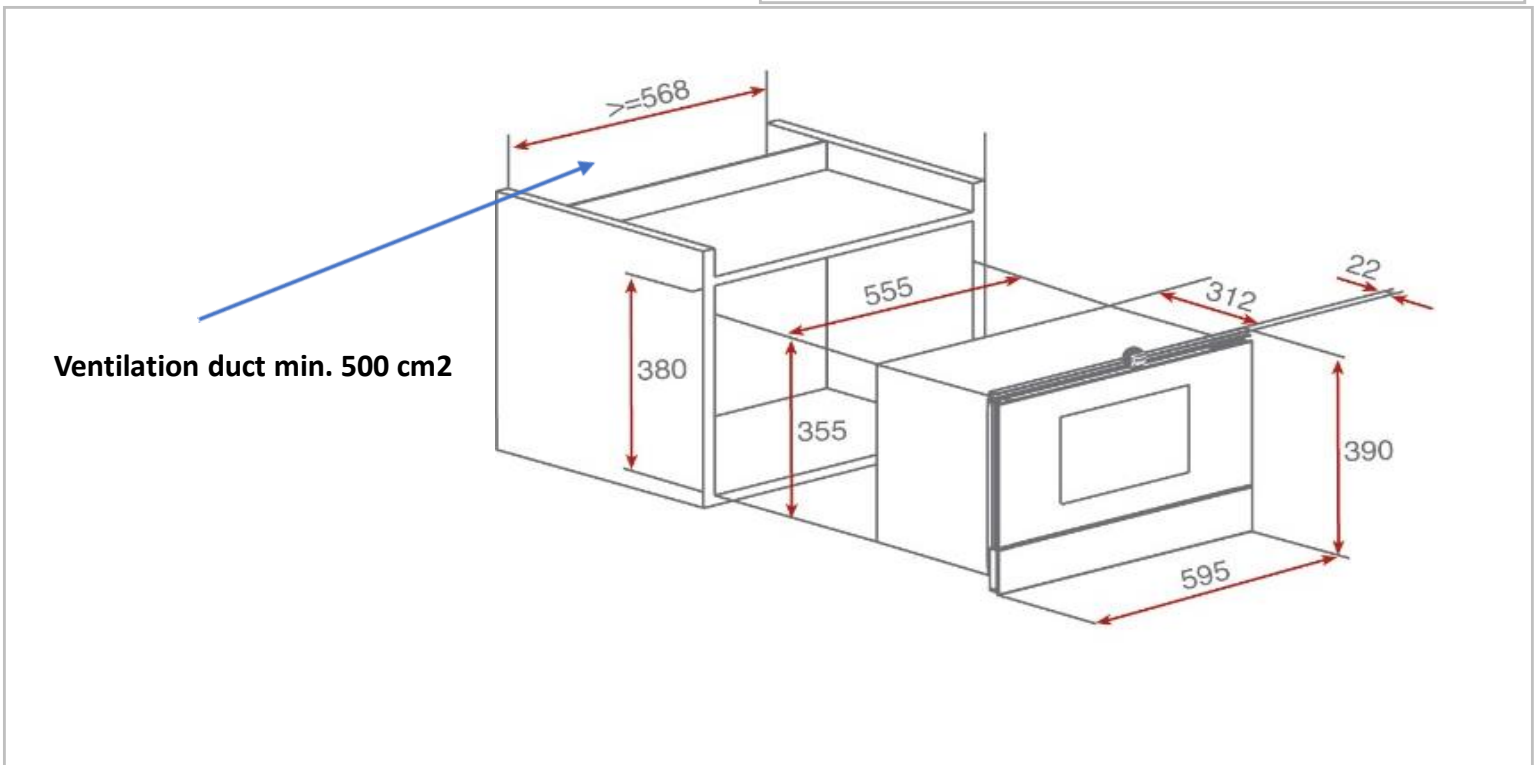




Brand : TEKA, Spain
 Name : ADVAND / Built-in Ceramic base microwave+grill MWL22EGL
 Item Code : 4058.2303
 Color/Finish: Stainless Steel Fingerprint Proof
 Dimensions : Overall (LxWxH in cm)
 59.5 x 33.4 x 39cm

Product info:

- Capacity : 22 litres
- 9 direct access menus, Pop up control knobs
- 5 microwave power levels (850 W.)
- 3 cooking memories, Grill 1200 Watts
- Electronic door opening system
- Touch control panel with LCD display
- Automatic defrost by time & weight
- Timer: 0-90 minutes, + 1 minute button
- Children safety block, Double glazed door
- One grid, Browning plate
- Wattage: 1200 W
- Voltage: 220V / 50 Hz
- Phase: single+grounding



Follow cleaning instructions and avoid using any harmful chemicals.

All information is for reference only. Installation shall always be based on the specs provided with actual delivered items.

For more info, visit www.kuysen.com