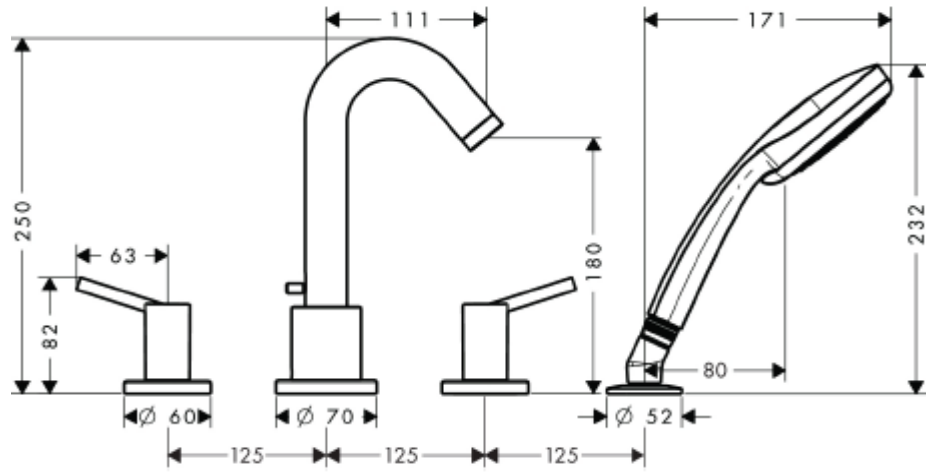


SPECIFICATION SHEET - fittings

BRAND:	hansgrohe	Product Photo: 
ORIGIN:	Germany	
SERIES:	Talis S2	
PRODUCT DESCRIPTION:	Finish set for 4-hole 2-handles rim-mounted bath mixer • with Cromo E 100 Vario handshower • Flow rate: 22 l./min. at 3 bar • Flow pressure; 1~5 bar (15~70 psi)	
MODEL No.	32314 000	
FINISH/COLOUR:	Chrome-plated	
DIMENSIONS:	250mm height 111mm spout projection	
OPTIONAL MATCHING PARTS:	13244180 basic set	

Technical Informations: Suitable for continous flow water heater



REMINDER: Pipe flushing must be done before faucets are installed. Failure to do so voids the warranty.

Do not use cleaners containing abrasive cleansers, ammonia, bleach, acids, waxes, alcohol, solvents or other products not recommended for chrome.

All information is for reference only, installation shall always be based on the actual product delivered.