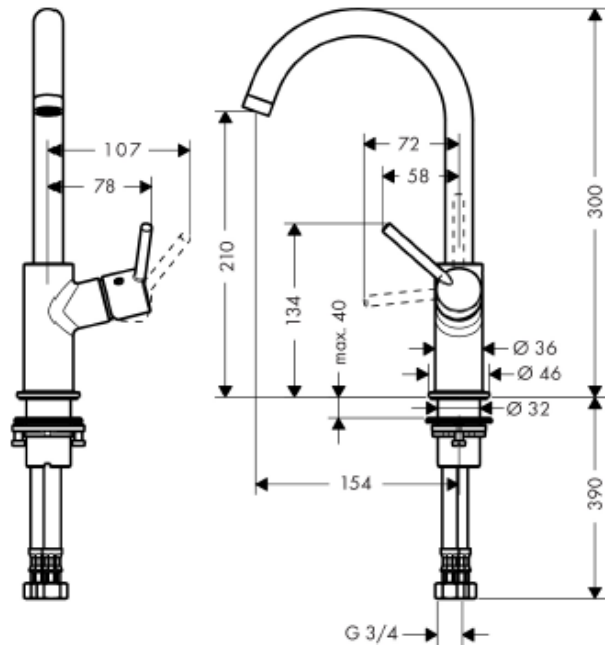


## SPECIFICATION SHEET - fittings

<b>BRAND:</b>	<b>hansgrohe</b>	<b>Product Photo:</b>  
<b>ORIGIN:</b>	Germany	
<b>SERIES:</b>	<b>Talis S2</b>	
<b>PRODUCT DESCRIPTION:</b>	Single lever basin mixer 210 for washbowl with high C- spout • with push-type pop-up waste 1¼" • Flow rate: 5 l./min. at 3 bar • Flow pressure; 1~5 bar (15~70 psi)	
<b>MODEL No.</b>	32082 000	
<b>FINISH/COLOUR:</b>	Chrome-plated	
<b>DIMENSIONS:</b>	300mm height 154mm spout projection	
<b>OPTIONAL MATCHING PARTS:</b>	2x angle valve ½"x¾" basin waste trap	

**Technical Informations:** Suitable for continous flow water heater



<b>REMINDER:</b>	Pipe flushing must be done before faucets are installed. Failure to do so voids the warranty.
	Do not use cleaners containing abrasive cleansers, ammonia, bleach, acids, waxes, alcohol, solvents or other products not recommended for chrome.
	All information is for reference only, installation shall always be based on the actual product delivered.