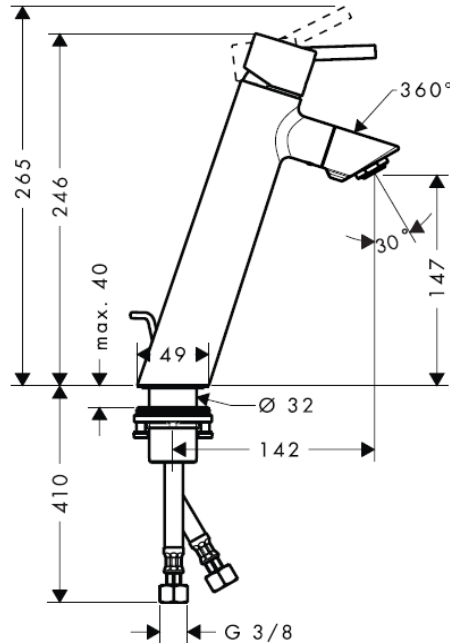


## SPECIFICATION SHEET - fittings

<b>BRAND:</b>	hansgrohe	<b>Product Photo:</b>  
<b>ORIGIN:</b>	Germany	
<b>SERIES:</b>	<b>Talis S2</b>	
<b>PRODUCT DESCRIPTION:</b>	Single lever basin mixer 150 with rotatable spout • with basin pop-up waste 1¼" • Flow rate: 5 l./min. at 3 bar • Flow pressure; 1~5 bar (15~70 psi)	
<b>MODEL No.</b>	32052 000	
<b>FINISH/COLOUR:</b>	Chrome-plated	
<b>DIMENSIONS:</b>	246mm height 142mm spout projection	
<b>OPTIONAL MATCHING PARTS:</b>	2x angle valve ½"x¾" basin waste trap	

**Technical Informations:** Suitable for continous flow water heater



<b>REMINDER:</b>	Pipe flushing must be done before faucets are installed. Failure to do so voids the warranty.
	Do not use cleaners containing abrasive cleansers, ammonia, bleach, acids, waxes, alcohol, solvents or other products not recommended for chrome.
	All information is for reference only, installation shall always be based on the actual product delivered.