
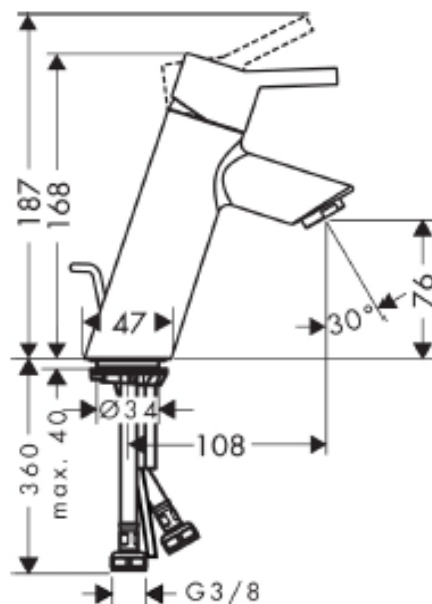


SPECIFICATION SHEET - fittings

BRAND:	hansgrohe	Product Photo: 
ORIGIN:	Germany	
SERIES:	Talis S2	
PRODUCT DESCRIPTION:	Single lever basin mixer 80 • with basin pop-up waste 1¼" • Flow rate: 5 l./min. at 3 bar • Flow pressure; 1~5 bar (15~70 psi)	
MODEL No.	32040 000	
FINISH/COLOUR:	Chrome-plated	
DIMENSIONS:	168mm height 108mm spout projection	
OPTIONAL MATCHING PARTS:	2x angle valve ½"x¾" basin waste trap	

Technical Informations: Suitable for continous flow water heater



REMINDER:	Pipe flushing must be done before faucets are installed. Failure to do so voids the warranty.
	Do not use cleaners containing abrasive cleansers, ammonia, bleach, acids, waxes, alcohol, solvents or other products not recommended for chrome.
	All information is for reference only, installation shall always be based on the actual product delivered.