
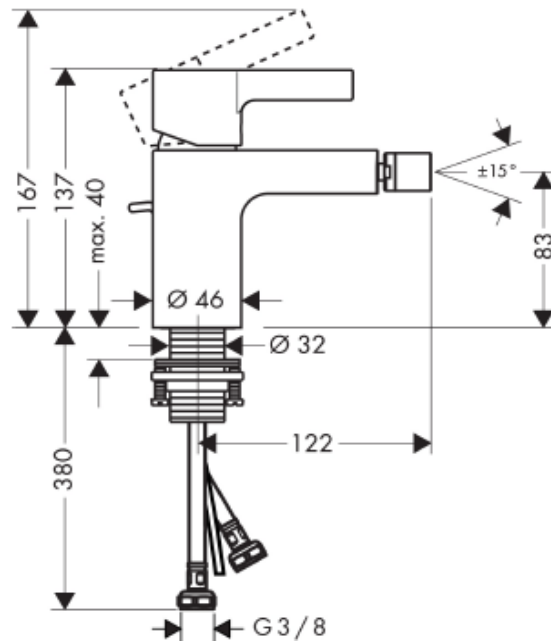


SPECIFICATION SHEET - fittings

BRAND:	hansgrohe	Product Photo: 
ORIGIN:	Germany	
SERIES:	Metris S	
PRODUCT DESCRIPTION:	Single lever bidet mixer • with pop-up waste 1¼" • Flow rate: 7.2 l./min. at 3 bar • Flow pressure; 1~5 bar (15~70 psi) • spray type: laminar spray	
MODEL No.	31261 000	
FINISH/COLOUR:	Chrome-plated	
DIMENSIONS:	137mm height 122mm spout projection	
OPTIONAL MATCHING PARTS:	2x angle valve ½"x¾" bidet waste trap	

Technical Informations:



REMINDER:	Pipe flushing must be done before faucets are installed. Failure to do so voids the warranty.
	Do not use cleaners containing abrasive cleansers, ammonia, bleach, acids, waxes, alcohol, solvents or other products not recommended for chrome.
	All information is for reference only, installation shall always be based on the actual product delivered.