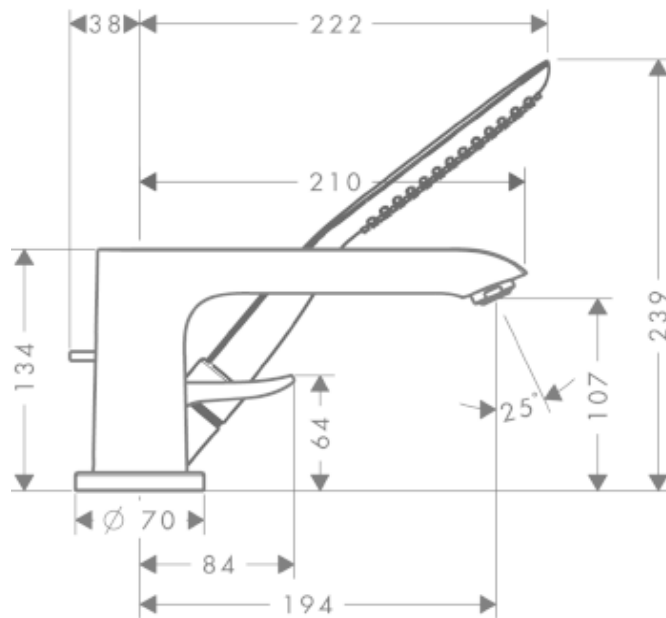


SPECIFICATION SHEET - fittings

BRAND:	hansgrohe	Product Photo: 
ORIGIN:	Germany	
SERIES:	New Metris	
PRODUCT DESCRIPTION:	Finish set for 3-hole single lever rim mounted bath/shower mixer with extractable shower ½" • Flow rate: 22 l./min. at 3 bar • Flow pressure; 1~5 bar (15~70 psi)	
MODEL No.	31190 000	
FINISH/COLOUR:	Chrome-plated	
DIMENSIONS:	194mm spout projection	
OPTIONAL MATCHING PARTS:	13437180 basic set	

Technical Informations: Suitable for continous flow water heater



REMINDER:	Pipe flushing must be done before faucets are installed. Failure to do so voids the warranty.
	Do not use cleaners containing abrasive cleansers, ammonia, bleach, acids, waxes, alcohol, solvents or other products not recommended for chrome.
	All information is for reference only, installation shall always be based on the actual product delivered.