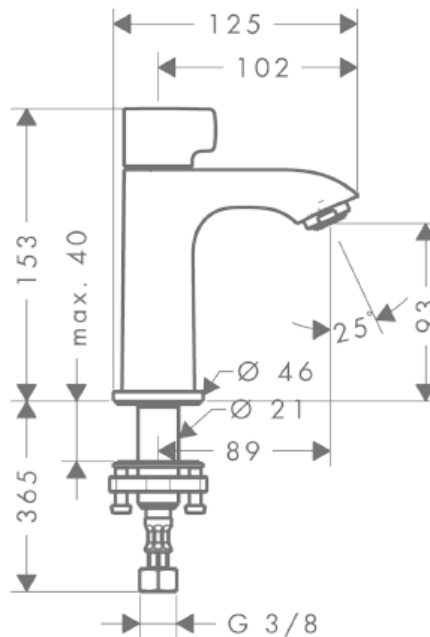


SPECIFICATION SHEET - fittings

BRAND:	hansgrohe	Product Photo: 
ORIGIN:	Germany	
SERIES:	New Metris	
PRODUCT DESCRIPTION:	Basin cold water pillar tap • Flow rate: 5 l./min. at 3 bar • Flow pressure; 1~5 bar (15~70 psi)	
MODEL No.	31166 000	
FINISH/COLOUR:	Chrome-plated	
DIMENSIONS:	125mm length 89mm spout projection	
OPTIONAL MATCHING PARTS:	1x angle valve 1/2"x3/8" basin waste trap basin waste strainer or pop-up	

Technical Informations: Suitable for continous flow water heater



REMINDER:	Pipe flushing must be done before faucets are installed. Failure to do so voids the warranty.
	Do not use cleaners containing abrasive cleansers, ammonia, bleach, acids, waxes, alcohol, solvents or other products not recommended for chrome.
	All information is for reference only, installation shall always be based on the actual product delivered.