
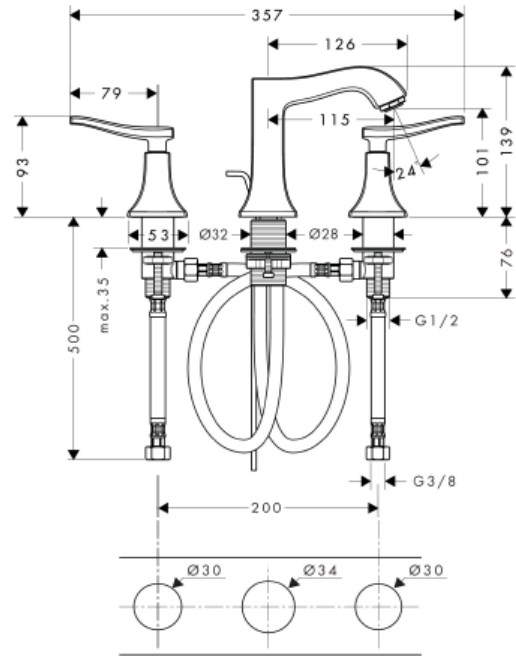


SPECIFICATION SHEET - fittings

BRAND:	hansgrohe	Product Photo: 
ORIGIN:	Germany	
SERIES:	Metris C	
PRODUCT DESCRIPTION:	3-hole 2-handle basin mixer • ComfortZone 100 • with pop-up waste 1¼" • Flow rate: 5 l./min. at 3 bar • Flow pressure; 1~5 bar (15~70 psi) • spray type: normal spray	
MODEL No.	31073 831	
FINISH/COLOUR:	Polished Nickel	
DIMENSIONS:	126mm L x 357mm W x 139mm H 115mm spout projection	
OPTIONAL MATCHING PARTS:	2x angle valve ½"x¾" basin waste trap	

Technical Informations: Suitable for continous flow water heater



REMINDER:	Pipe flushing must be done before faucets are installed. Failure to do so voids the warranty.
	Do not use cleaners containing abrasive cleansers, ammonia, bleach, acids, waxes, alcohol, solvents or other products not recommended for chrome.
	All information is for reference only, installation shall always be based on the actual product delivered.