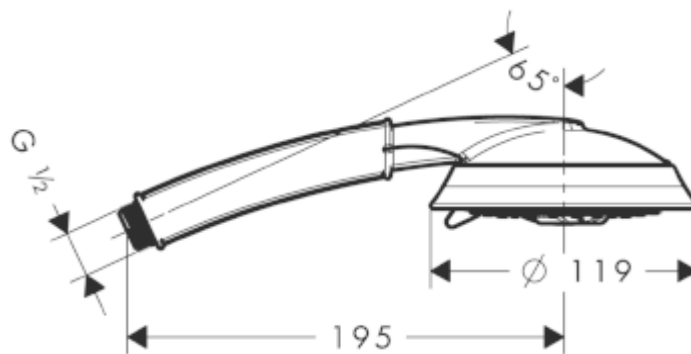


SPECIFICATION SHEET - fittings

BRAND:	hansgrohe	Product Photo: 
ORIGIN:	Germany	
SERIES:	Swing C	
PRODUCT DESCRIPTION:	Raindance C 100 handshower	
MODEL No.	28548 821	
FINISH/COLOUR:	Brushed Nickel	
DIMENSIONS:		
OPTIONAL MATCHING PARTS:		

Technical Informations: Suitable for continous flow water heater



REMINDER:	Pipe flushing must be done before faucets are installed. Failure to do so voids the warranty.
	Do not use cleaners containing abrasive cleansers, ammonia, bleach, acids, waxes, alcohol, solvents or other products not recommended for chrome.
	All information is for reference only, installation shall always be based on the actual product delivered.