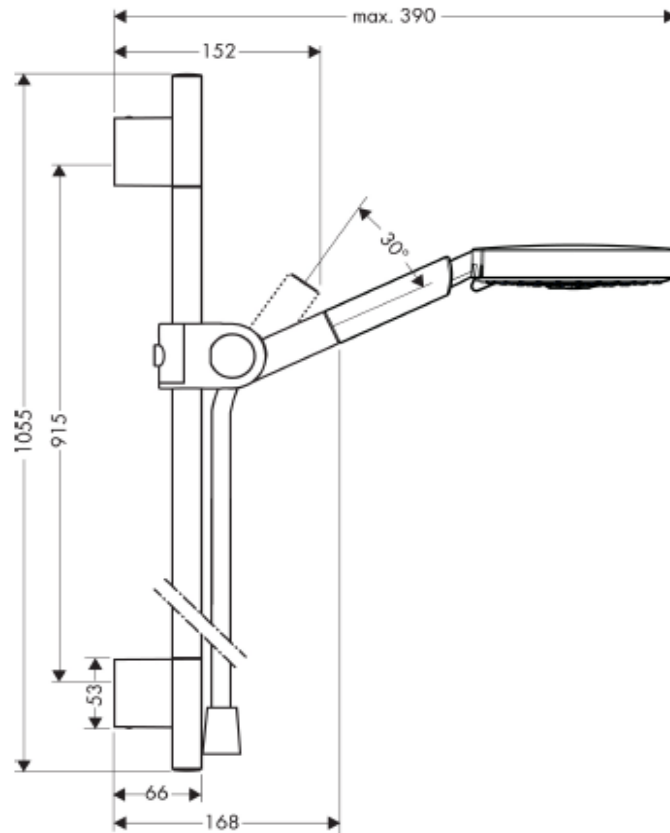


## SPECIFICATION SHEET - fittings

<b>BRAND:</b>	<b>AXOR<sup>®</sup></b>	<b>Product Photo:</b> 
<b>ORIGIN:</b>	Germany	
<b>SERIES:</b>	<b>Uno 2</b>	
<b>PRODUCT DESCRIPTION:</b>	Shower set • Raindance S 150 Air 3jet handshower • spray type: RainAir, WhirlAir, BalanceAir • maximum flow rate: 18 l/min at 0.3 Mpa • shower head size: 137mm • drilling distance 915mm	
<b>MODEL No.</b>	27986.000	
<b>FINISH/COLOUR:</b>	Chrome-plated	
<b>DIMENSIONS:</b>	1055mm wall bar height	
<b>OPTIONAL MATCHING PARTS:</b>		

**Technical Informations:**



<b>REMINDER:</b>	<p style="color: magenta;">Pipe flushing must be done before faucets are installed. Failure to do so voids the warranty.</p> <p>Do not use cleaners containing abrasive cleansers, ammonia, bleach, acids, waxes, alcohol, solvents or other products not recommended for chrome.</p> <p>All information is for reference only, installation shall always be based on the actual product delivered.</p>
------------------	---