
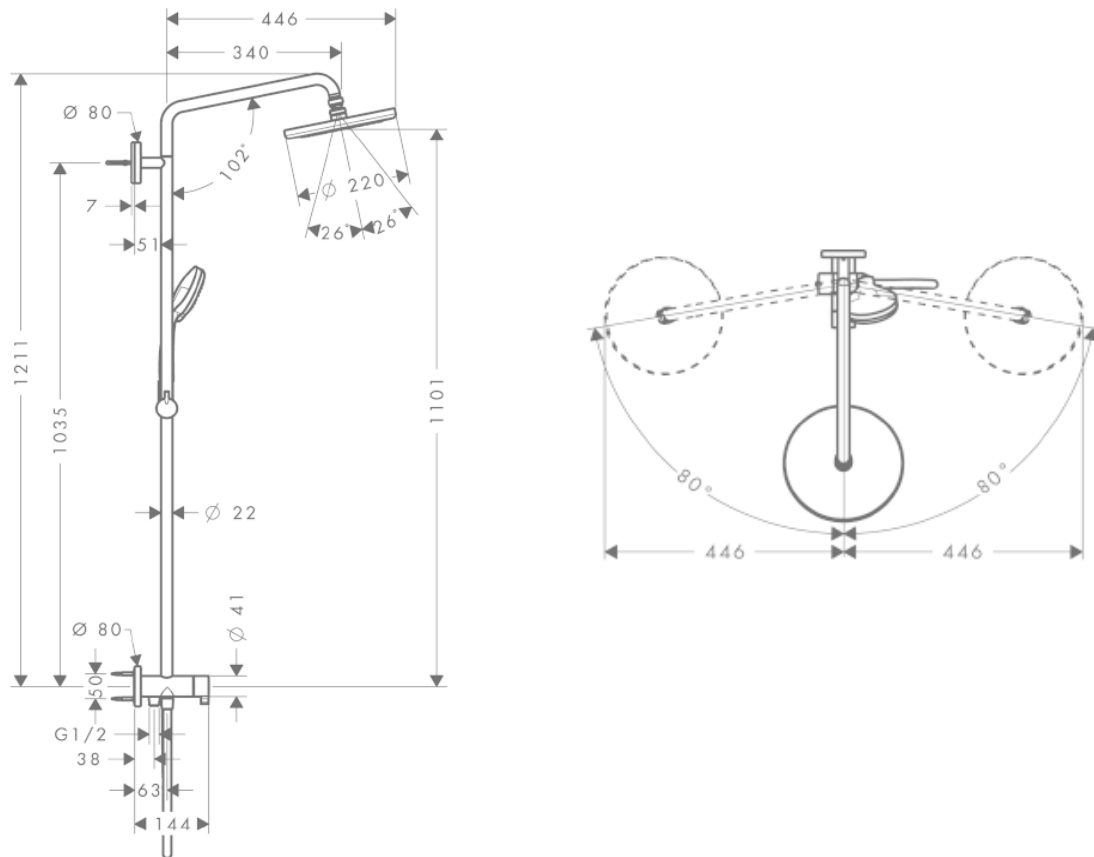


SPECIFICATION SHEET - fittings

BRAND:	hangrohe	Product Photo: 
ORIGIN:	Germany	
SERIES:	Shower Pipes	
PRODUCT DESCRIPTION:	Croma 220 Reno shower pipe set with flexible connection hose to mixer • flow rate RainAir spray: 14 l/min	
MODEL No.	27224 000	
FINISH/COLOUR:	Chrome-plated	
DIMENSIONS:		
OPTIONAL MATCHING PARTS:		

Technical Informations: Suitable for continous flow water heater



REMINDER: **Pipe flushing must be done before faucets are installed. Failure to do so voids the warranty.**
 Do not use cleaners containing abrasive cleansers, ammonia, bleach, acids, waxes, alcohol, solvents or other products not recommended for chrome.
 All information is for reference only, installation shall always be based on the actual product delivered.