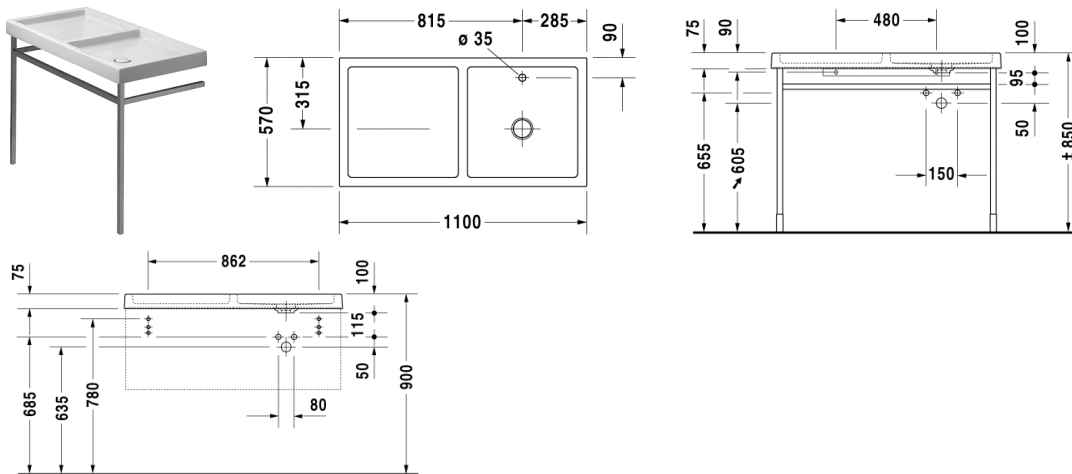


Washbasin # 230910..00 / 230910..70

|< 1100 mm >|

Starck X



Washbasin	Dimension	Weight	Order number
bowl on right side, without overflow, ceramic covered slotted waste included, 1100 mm Additional information For # 230710, 230910 and 230557 installation with vanity unit or metal console is mandatory / Axor Starck X tap fittings are recommended			
Colors			
00 White Alpin			
Variant			
1100 mm ●	1100 x 570 mm	26,100 kg	230910..00
1100 mm ☒	1100 x 570 mm	26,100 kg	230910..70
Accessories			
Metal console	-	-	003048
Design Siphon	-	1,500 kg	005036
Design angle valve	1/2" mm	0,500 kg	003045

All drawings contain the necessary measurements which are subject to standard tolerances. They are stated in mm and are non-binding. Exact measurements, in particular for customised installation scenarios, can only be taken from the finished ceramic piece.

REMINDER:	Pipe flushing must be done before faucets are installed. Failure to do so voids the warranty.
	Do not use cleaners containing abrasive cleansers, ammonia, bleach, acids, waxes, alcohol, solvents or other products not recommended for chrome.
	All information is for reference only, installation shall always be based on the actual product delivered.