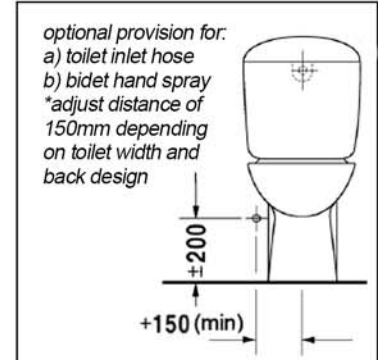
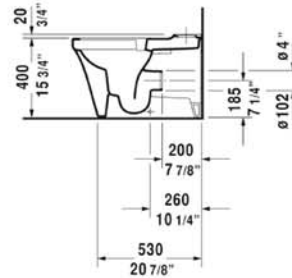
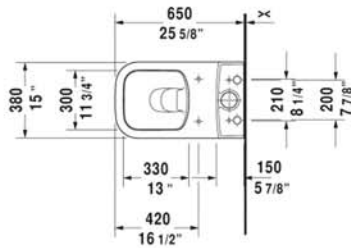
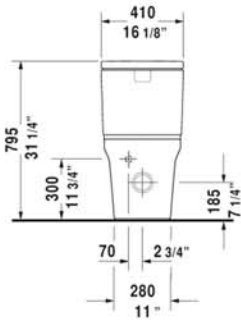
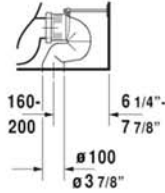


P3 Comforts Floor standing toilet Duravit Rimless® # 2167090092



Floor standing toilet Duravit Rimless®	Dimension	Weight	Order number
(without tank), rimless, washdown model, Outlet for Vario connector set, for horizontal and vertical outlet, length adjustable from 2 3/4" - 6 3/4", and vario connecting bend, vertical outlet from 6 1/4" - 7 7/8", hardware included			
Colors			
00 White 20 HygieneGlaze (an antibacterial ceramic glaze that provides almost indefinite effectiveness)			
Variant			
◆ 1.6/0.8 gpf	15" x 25 5/8" Inch	82.7 lb	2167090092
Sanitary ceramics with the special WonderGliss surface finish will remain clean and attractive-looking for a long time to come. When ordering WonderGliss please add a "1" as eleventh digit to the model number.			
Vario connector set incl. excenter		3.3 lb	001422
Vario connecting bend for vertical outlet		1.5 lb	899025
Suitable products			
Tank with Dual Flush mechanism, Chrome, for bottom left supply, 16 1/8" x 6 3/4" Inch	16 1/8" x 6 3/4" Inch		093710
Toilet seat and cover hinges stainless steel, without slow close,			002041
Toilet seat and cover removable, hinges stainless steel, with slow close,			002049

REMINDER:	Pipe flushing must be done before faucets are installed. Failure to do so voids the warranty.
	Do not use cleaners containing abrasive cleansers, ammonia, bleach, acids, waxes, alcohol, solvents or other products not recommended for chrome.
	All information is for reference only, installation shall always be based on the actual product delivered.