
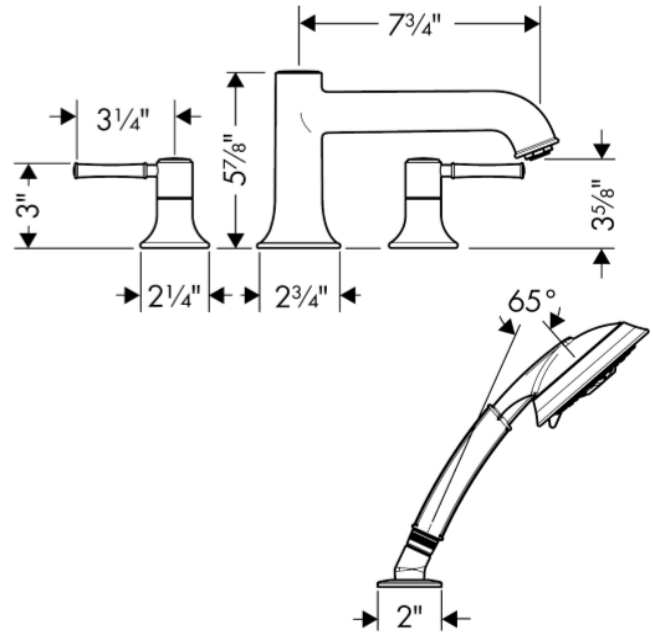


SPECIFICATION SHEET - fittings

BRAND:	hansgrohe	Product Photo: 
ORIGIN:	Germany	
SERIES:	Talis C	
PRODUCT DESCRIPTION:	Finish set for 4-hole 2-handles rim-mounted bath filler with pull-out Raindance C 100 Air 3-jet handshower with Rain Air, Balance Air and Whirl Air spray modes • Flow rate: 22 l./min. at 3 bar • Flow pressure; 1~5 bar (15~70 psi)	
MODEL No.	14314 821	
FINISH/COLOUR:	Brushed Nickel	
DIMENSIONS:		
OPTIONAL MATCHING PARTS:	06646000 basic set	

Technical Informations: Suitable for continous flow water heater



REMINDER: Pipe flushing must be done before faucets are installed. Failure to do so voids the warranty.
 Do not use cleaners containing abrasive cleansers, ammonia, bleach, acids, waxes, alcohol, solvents or other products not recommended for chrome.
 All information is for reference only, installation shall always be based on the actual product delivered.