
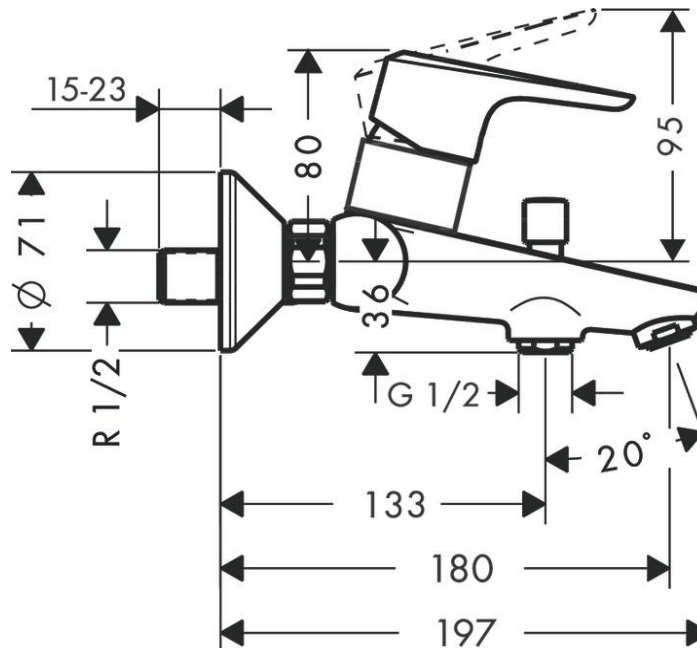


## SPECIFICATION SHEET - fittings

<b>BRAND:</b>	hansgrohe	<b>Product Photo:</b>  
<b>ORIGIN:</b>	Germany	
<b>SERIES:</b>	<b>ECOS</b>	
<b>PRODUCT DESCRIPTION:</b>	Exposed bath & shower mixer • flow rate: 19 l/min at 3 bar	
<b>MODEL No.</b>	14084 000	
<b>FINISH/COLOUR:</b>	Chrome-plated	
<b>DIMENSIONS:</b>	197mm length 180mm spout projection	
<b>OPTIONAL MATCHING PARTS:</b>		

**Technical Informations:** Suitable for continous flow water heater



<b>REMINDER:</b>	Pipe flushing must be done before faucets are installed. Failure to do so voids the warranty.
	Do not use cleaners containing abrasive cleansers, ammonia, bleach, acids, waxes, alcohol, solvents or other products not recommended for chrome.
	All information is for reference only, installation shall always be based on the actual product delivered.