
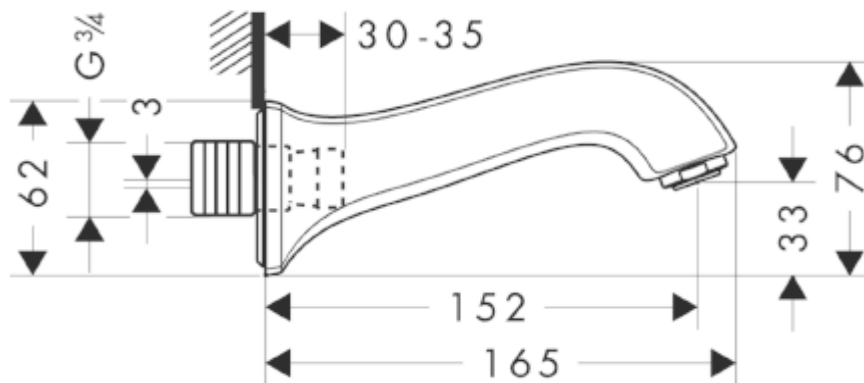


SPECIFICATION SHEET - fittings

BRAND:	hansgrohe	Product Photo: 
ORIGIN:	Germany	
SERIES:	Metris C	
PRODUCT DESCRIPTION:	Metris C Bath spout • flow rate: 20 l/min • spray type: normal spray	
MODEL No.	13413 921	
FINISH/COLOUR:	Rubbed Bronze	
DIMENSIONS:	165mm length 152mm spout projection	
OPTIONAL MATCHING PARTS:		

Technical Informations: Suitable for continous flow water heater



REMINDER:	Pipe flushing must be done before faucets are installed. Failure to do so voids the warranty.
	Do not use cleaners containing abrasive cleansers, ammonia, bleach, acids, waxes, alcohol, solvents or other products not recommended for chrome.
	All information is for reference only, installation shall always be based on the actual product delivered.