
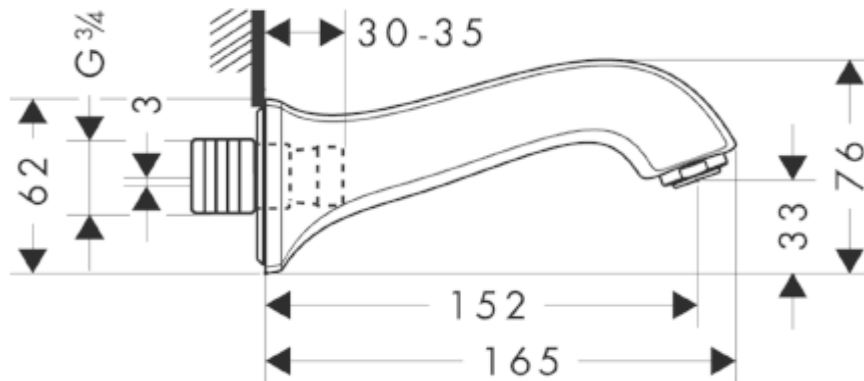


## SPECIFICATION SHEET - fittings

<b>BRAND:</b>	<b>hansgrohe</b>	<b>Product Photo:</b>  
<b>ORIGIN:</b>	Germany	
<b>SERIES:</b>	<b>Metris C</b>	
<b>PRODUCT DESCRIPTION:</b>	<b>Metris C Bath spout</b> <ul style="list-style-type: none"> <li>• flow rate: 20 l/min</li> <li>• spray type: normal spray</li> </ul>	
<b>MODEL No.</b>	13413 821	
<b>FINISH/COLOUR:</b>	Brushed Nickel	
<b>DIMENSIONS:</b>	165mm length 152mm spout projection	
<b>OPTIONAL MATCHING PARTS:</b>		

**Technical Informations:** Suitable for continous flow water heater



<b>REMINDER:</b>	Pipe flushing must be done before faucets are installed. Failure to do so voids the warranty.
	Do not use cleaners containing abrasive cleansers, ammonia, bleach, acids, waxes, alcohol, solvents or other products not recommended for chrome.
	All information is for reference only, installation shall always be based on the actual product delivered.