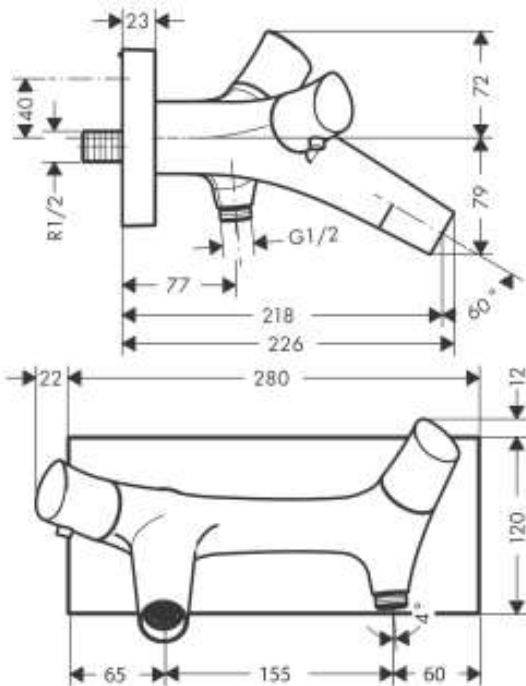




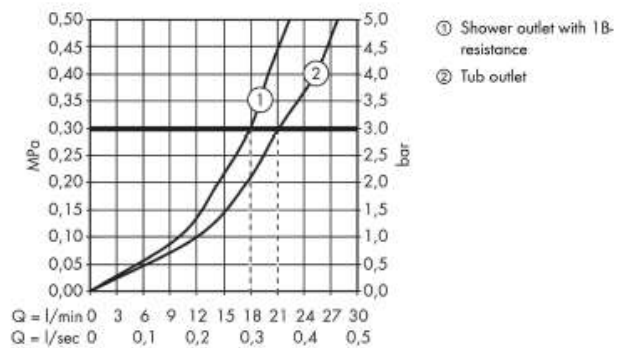
Brand : Axor, Germany
 Name : Starck Organic Bath Thermostat for Exposed Installation
 Item Code : 12410.000
 Designer : Philippe Starck
 Color / Finish : Chrome
 Dimensions :

Product info:

- projection 218 mm
- 2 functions · center distance: 150 ± 12 mm
- spray type mixer: laminar spray
- flow rate for bath spout at 3 bar: 28 l/min
- flow rate: 20 l/min
- min. operating pressure: 1 bar
- max. operating pressure: 10 bar
- thermostat cartridge, shut-off/ diverter valve
- safety lock at 40° C
- temperature limitation adjustable
- non-return valve
- connection type: s-shaped connections



Flowchart



Flushing of pipe must be done before fittings are installed. Failure to do so voids the warranty.

Follow cleaning instructions and avoid using any harmful chemicals.

All information is for reference only. Installation shall always be based on the specs provided with actual delivered items.

For more info, visit www.kuysen.com