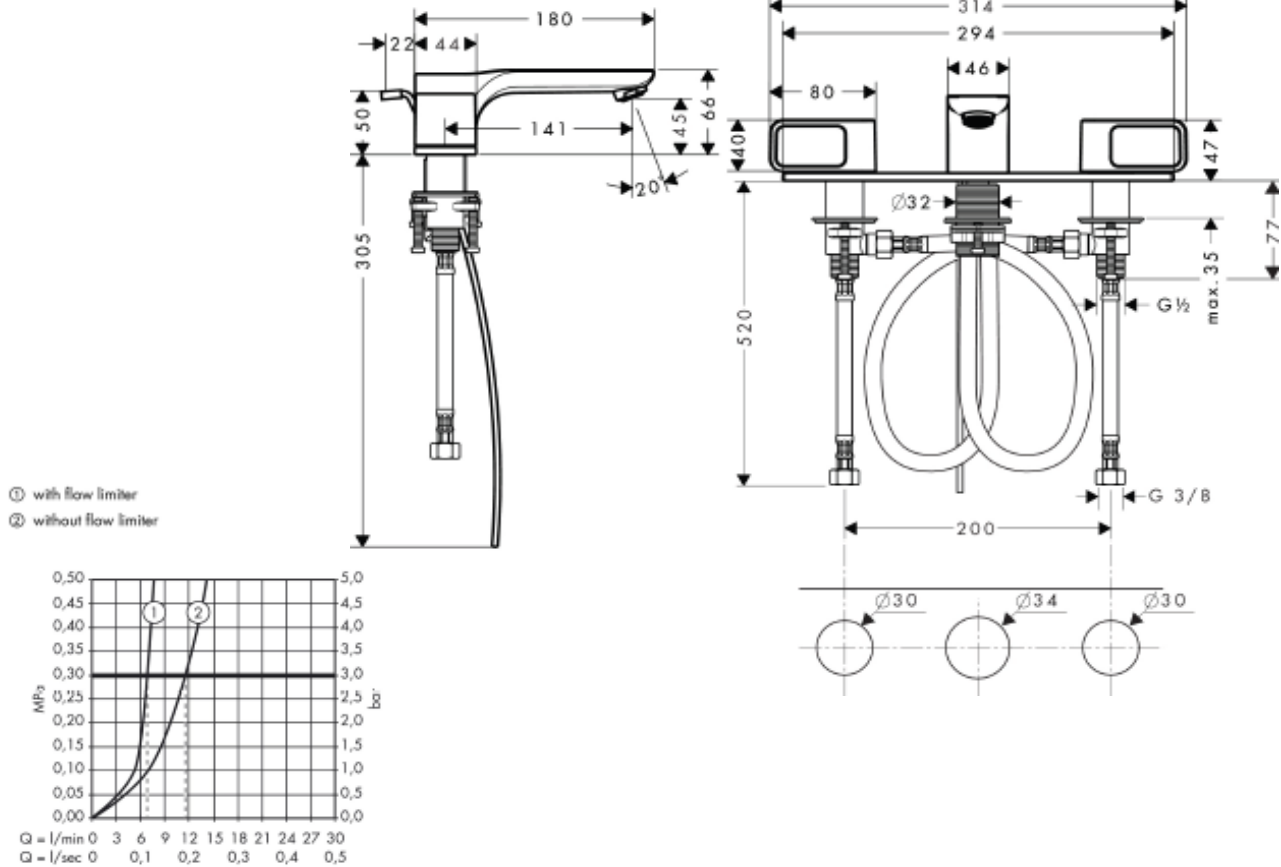


## SPECIFICATION SHEET - fittings

<b>BRAND:</b>	<b>AXOR®</b>
<b>ORIGIN:</b>	Germany
<b>SERIES:</b>	<b>Urquiola</b>
<b>PRODUCT DESCRIPTION:</b>	3hole basin mixer with plate • with pop-up waste set G 1 ¼" • ComfortZone 50 • flow rate: 5 l/min
<b>MODEL No.</b>	11040.000
<b>FINISH/COLOUR:</b>	Chrome-plated
<b>DIMENSIONS:</b>	180mm L x 314mm W x 66mm H 141mm spout projection
<b>OPTIONAL MATCHING PARTS:</b>	2x angle valve ½"x10mm 1x basin waste trap 1¼"



**Technical Informations:**



**REMINDER:** Pipe flushing must be done before faucets are installed. Failure to do so voids the warranty.

Do not use cleaners containing abrasive cleansers, ammonia, bleach, acids, waxes, alcohol, solvents or other products not recommended for chrome.

All information is for reference only, installation shall always be based on the actual product delivered.