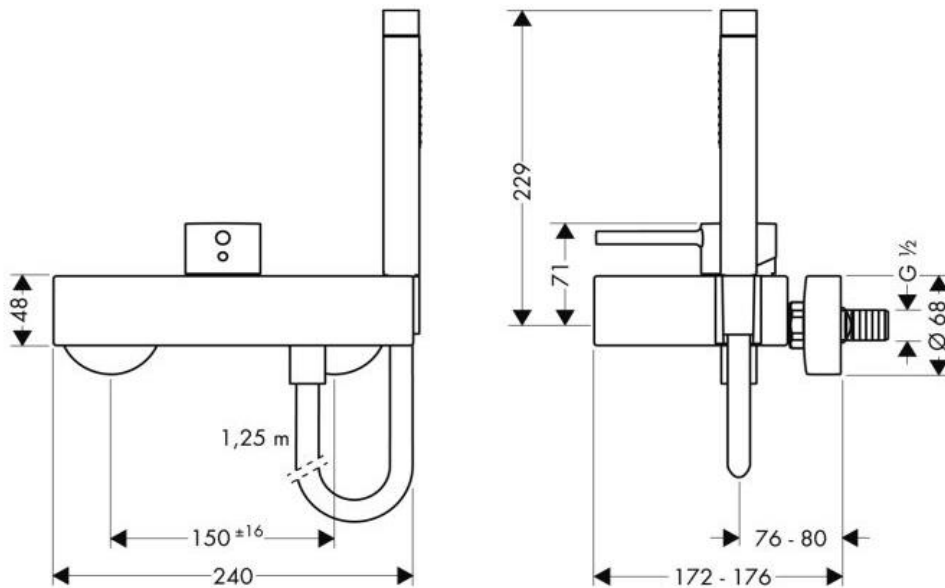


## SPECIFICATION SHEET - fittings

<b>BRAND:</b>	<b>AXOR<sup>®</sup></b>	<b>Product Photo:</b>  
<b>ORIGIN:</b>	Germany	
<b>SERIES:</b>	<b>PHILIPPE STARCK</b>	
<b>PRODUCT DESCRIPTION:</b>	Exposed shower mixer with handshower and hose	
<b>MODEL No.</b>	10601.000	
<b>FINISH/COLOUR:</b>	Chrome-plated	
<b>DIMENSIONS:</b>	240mm W	
<b>OPTIONAL MATCHING PARTS:</b>		

**Technical Informations:**



<b>REMINDER:</b>	<p style="color: magenta;">Pipe flushing must be done before faucets are installed. Failure to do so voids the warranty.</p> <p>Do not use cleaners containing abrasive cleansers, ammonia, bleach, acids, waxes, alcohol, solvents or other products not recommended for chrome.</p> <p>All information is for reference only, installation shall always be based on the actual product delivered.</p>
------------------	---