

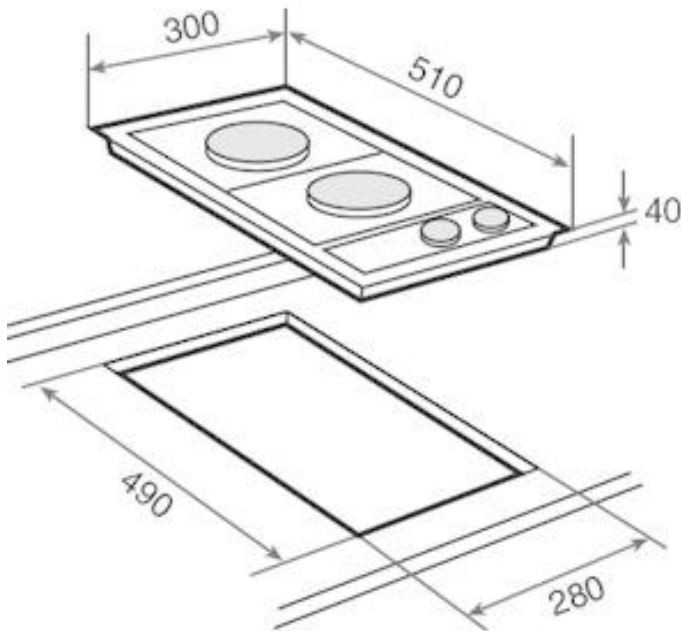


Brand : TEKA, Spain
 Name : GAS MODULAR HOBS / Built-in gas modular hob EM/30.2G.AI.AL

Item Code : 1020.9606
 Color/Finish: Inox Steel
 Dimensions : Overall (LxWxH in cm)
 30 x 51 x 4cm

Product info:

- Enamelled grid
- Stainless steel frame
- Metal looking frontal knobs
- Auto-ignition & Auto-lock safety device
- 2 cooking zones:
 - 1 fast burner (3 kW)
 - 1 auxiliary burner (1 kW)
- Gas Typology: LPG (butane/propane)
- Voltage: 220V / 50~60 Hz
- Wattage: 0.6 watts
- Phase: single+grounding



ATTENTION: Cut hole must be with round corners in order to avoid cracking on the counter-top.

Follow cleaning instructions and avoid using any harmful chemicals.

All information is for reference only. Installation shall always be based on the specs provided with actual delivered items.

For more info, visit www.kuysen.com