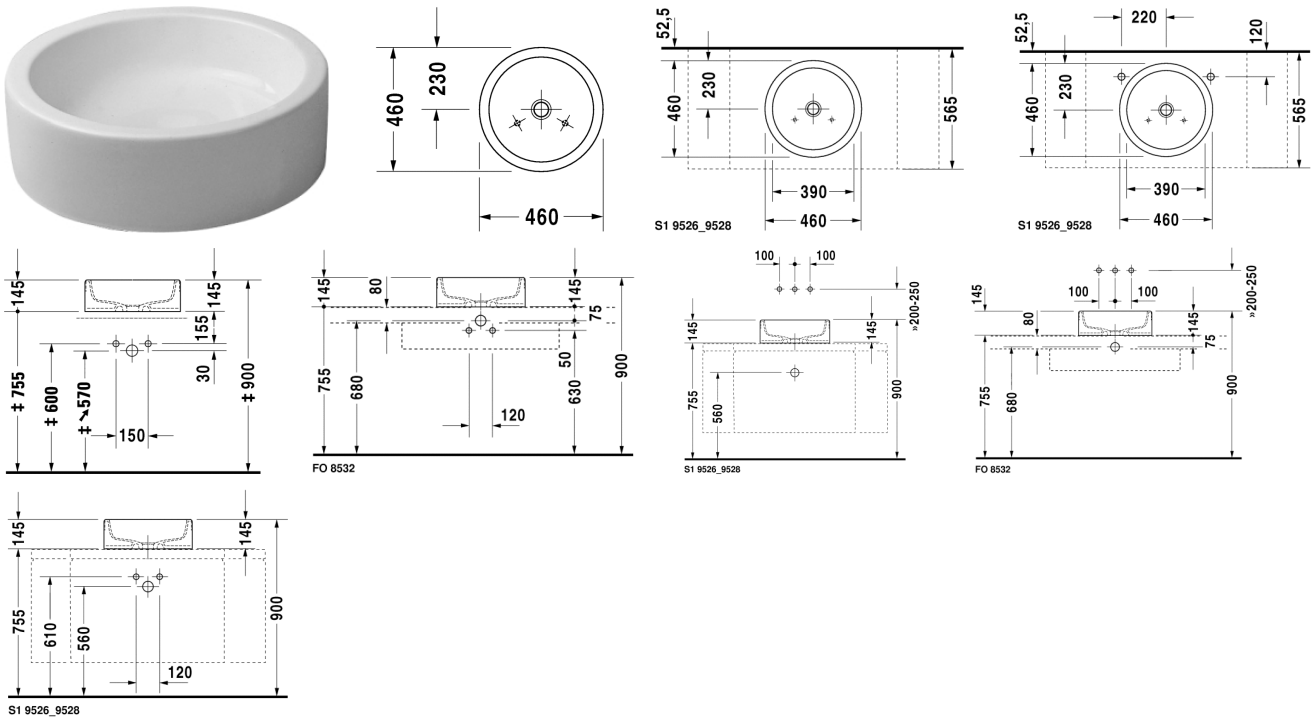


**Washbowl # 044546..00**

| < 460 mm > |

Starck 1



Washbowl	Dimension	Weight	Order number
without overflow, without tap platform, fixings included, 460 mm			
<b>Colors</b>			
00 White Alpin			
<b>Variant</b>			
460 mm ☒	Ø 460 mm	10,700 kg	044546..00
<b>Accessories</b>			
Slotted waste	50 mm	0,300 kg	005024
Design Siphon	-	1,500 kg	005036
Design angle valve	1/2" mm	0,500 kg	003045

All drawings contain the necessary measurements which are subject to standard tolerances. They are stated in mm and are non-binding. Exact measurements, in particular for customised installation scenarios, can only be taken from the finished ceramic piece.

<b>REMINDER:</b>	<b>Pipe flushing must be done before faucets are installed. Failure to do so voids the warranty.</b>
	Do not use cleaners containing abrasive cleansers, ammonia, bleach, acids, waxes, alcohol, solvents or other products not recommended for chrome.
	All information is for reference only, installation shall always be based on the actual product delivered.