
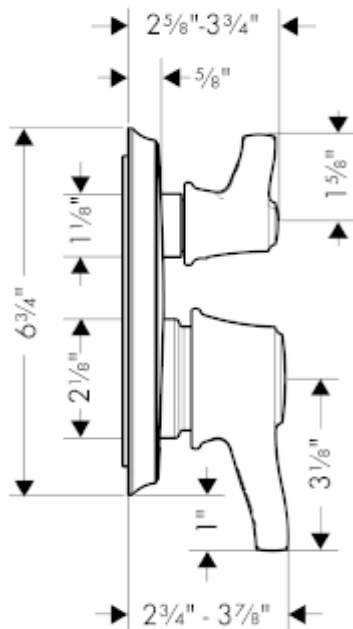


SPECIFICATION SHEET - fittings

BRAND:	hansgrohe	Product Photo: 
ORIGIN:	Germany	
SERIES:	Metris C	
PRODUCT DESCRIPTION:	Finish set for concealed pressure balance valve with 2-way diverter • Flow rate: 22 l./min. at 3 bar • Flow pressure; 1~5 bar (15~70 psi)	
MODEL No.	04449 830	
FINISH/COLOUR:	Polished Nickel	
DIMENSIONS:		
OPTIONAL MATCHING PARTS:	01850181 iBox	

Technical Informations: Suitable for continous flow water heater



REMINDER:	<p style="color: magenta;">Pipe flushing must be done before faucets are installed. Failure to do so voids the warranty.</p> <p>Do not use cleaners containing abrasive cleansers, ammonia, bleach, acids, waxes, alcohol, solvents or other products not recommended for chrome.</p> <p>All information is for reference only, installation shall always be based on the actual product delivered.</p>
------------------	---