

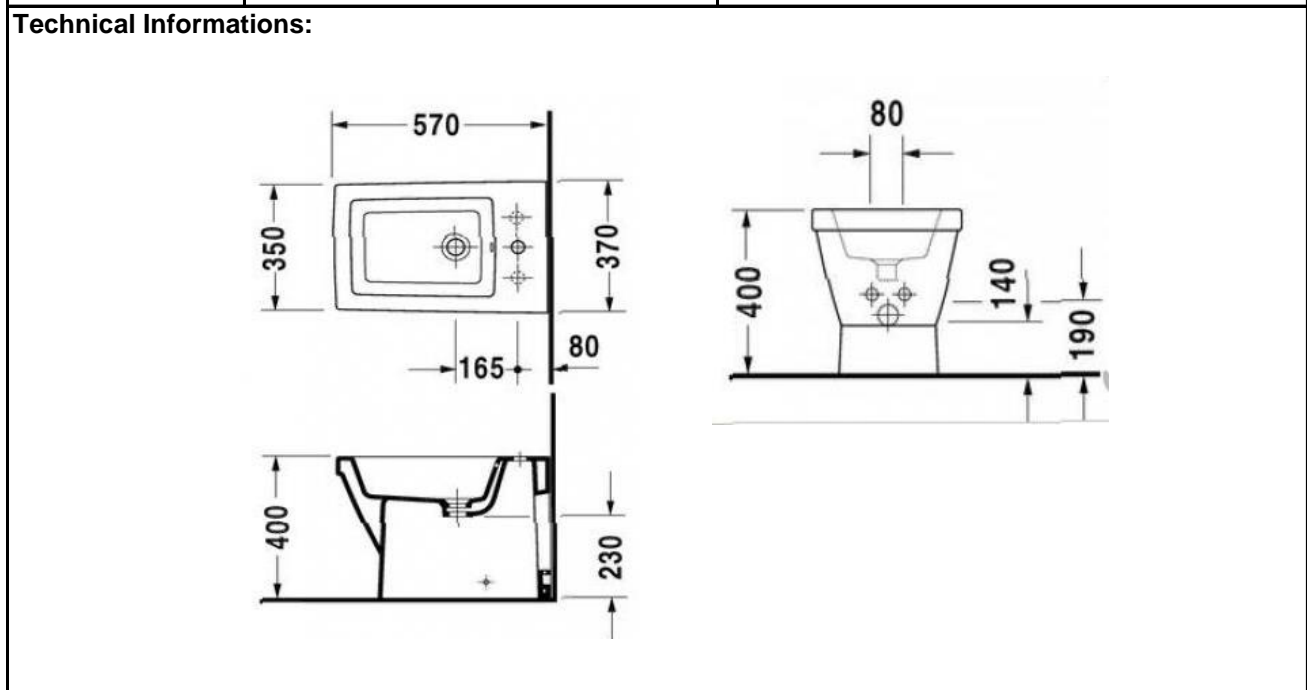


SPECIFICATION SHEET

BRAND:		Product Photo: 
ORIGIN:	Germany	
SERIES:	2ND FLOOR	
PRODUCT DESCRIPTION:	Floor standing bidet 1 tap hole, with fixings	
MODEL No.	013610.00001	
FINISH/COLOUR:	White Alpin	
DIMENSIONS:	570mm x 370mm x 400mm	
OPTIONAL MATCHING PARTS:	tube siphon (P-trap)	



REMINDER:	Pipe flushing must be done before faucets are installed. Failure to do so voids the warranty.
	Do not use cleaners containing abrasive cleansers, ammonia, bleach, acids, waxes, alcohol, solvents or other products not recommended for chrome.
	All information is for reference only, installation shall always be based on the actual product delivered.