

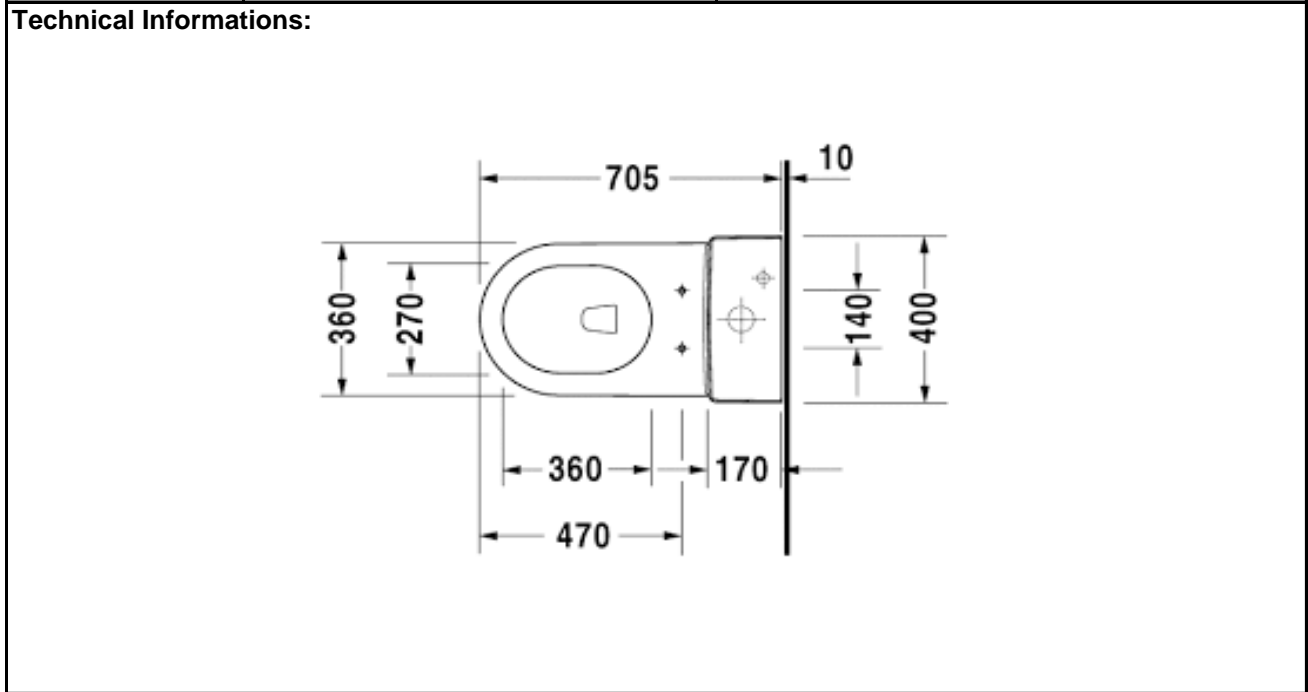


SPECIFICATION SHEET

BRAND:		Product Photo: 
ORIGIN:	Germany	
SERIES:	PHILIPPE STARCK 3	
PRODUCT DESCRIPTION:	1-piece US toilet, syphonic jet action flush with 80mm flapper valve 1.6GPF(6L) , side lever, roughing-in 305mm	
MODEL No.	011501.0001	
FINISH/COLOUR:	White Alpin	
DIMENSIONS:	705mm x 360mm	
OPTIONAL MATCHING PARTS:	WDI floor flange flexible hose 1/2" x 3/8" angle valve 1/2" x 1/2" Seat & cover Seat & cover SoftClose	



REMINDER:	<p style="color: magenta;">Pipe flushing must be done before faucets are installed. Failure to do so voids the warranty.</p> <p>Do not use cleaners containing abrasive cleansers, ammonia, bleach, acids, waxes, alcohol, solvents or other products not recommended for chrome.</p> <p>All information is for reference only, installation shall always be based on the actual product delivered.</p>
------------------	---