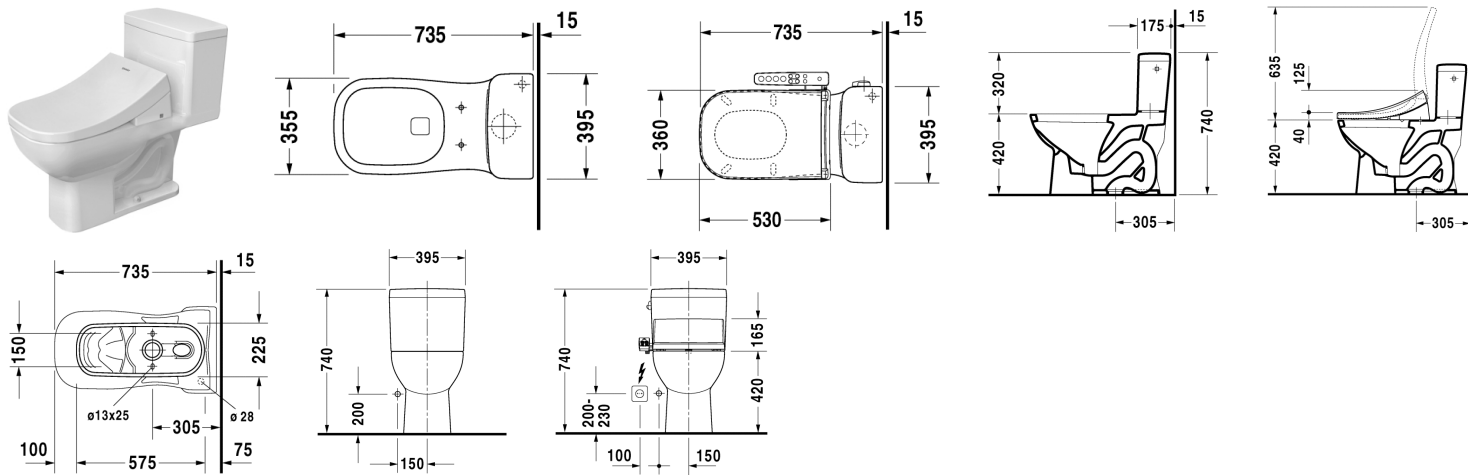


**One-piece toilet # 011301..01**

|< 390 mm >|

D-Code



One-piece toilet	Dimension	Weight	Order number
US-version, elongated with syphonic jet action, 1,28 gpf (4,8 liters), 305 mm/12" rough-in, with Single Flush mechanism, with side lever, IAPMO listed, vertical outlet			
<b>Colors</b>			
00 White Alpin			
<b>Variant</b>			
	390 x 710 mm	39,500 kg	011301..01
<b>Accessories</b>			
Toilet seat and cover	-	2,500 kg	006741
Toilet seat and cover	-	2,500 kg	006741
Toilet seat and cover	-	2,500 kg	006209
Toilet seat and cover	-	2,500 kg	006209
Mounting set	-	0,480 kg	001431
Mounting set	-	0,480 kg	001418
<b>Fixing</b>			
Mounting set	-	0,480 kg	001431
Mounting set	-	0,480 kg	001418

All drawings contain the necessary measurements which are subject to standard tolerances. They are stated in mm and are non-binding. Exact measurements, in particular for customised installation scenarios, can only be taken from the finished ceramic piece.

<b>REMINDER:</b>	<b>Pipe flushing must be done before faucets are installed. Failure to do so voids the warranty.</b>
	Do not use cleaners containing abrasive cleansers, ammonia, bleach, acids, waxes, alcohol, solvents or other products not recommended for chrome.
	All information is for reference only, installation shall always be based on the actual product delivered.