
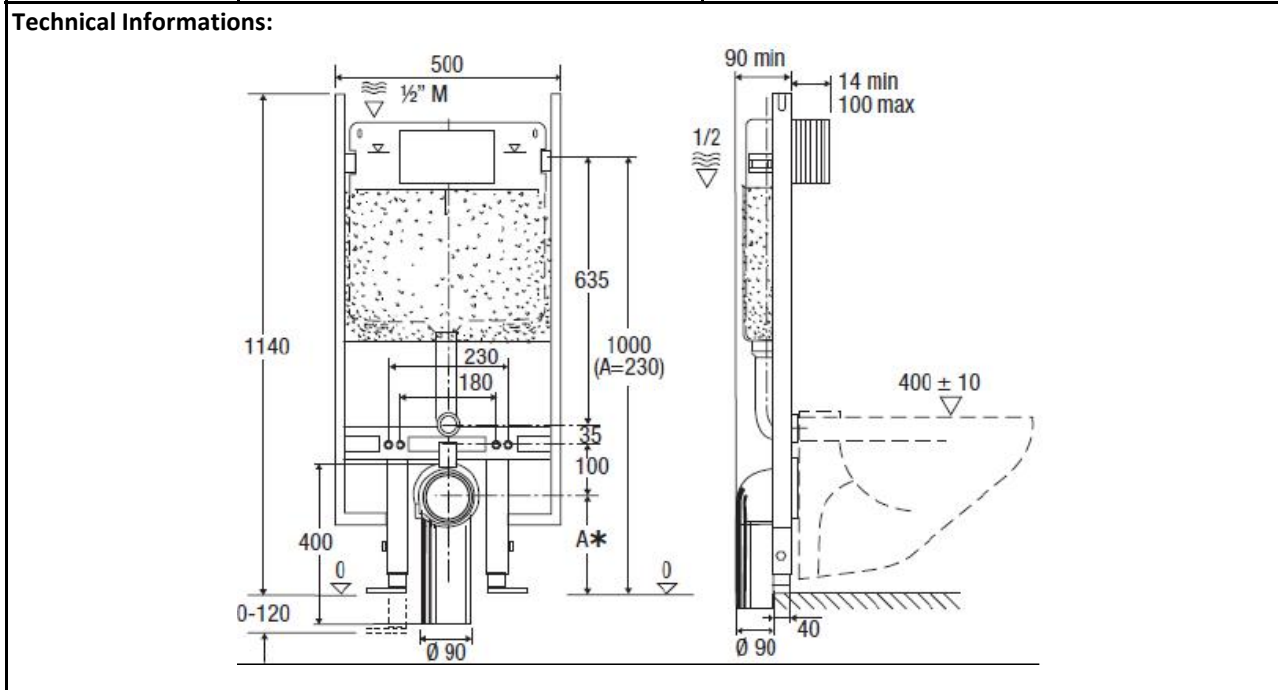


SPECIFICATION SHEET - Plumbing fittings

BRAND:		Product Photo: 
ORIGIN:	Germany	
SERIES:	TROPEA3 Block S90	
PRODUCT DESCRIPTION:	Concealed cistern with metallic support frame for wall hung toilet, with: 3/6L Dual flush Pneumatic operation	
MODEL No.	VS0859255	
FINISH/COLOUR:		
DIMENSIONS:	500mm x 90mm x 1140mm	
OPTIONAL MATCHING PARTS:	Front cover finish set	



REMINDER:	<p style="color: magenta;">Pipe flushing must be done before faucets are installed. Failure to do so voids the warranty.</p> <p>Do not use cleaners containing abrasive cleansers, ammonia, bleach, acids, waxes, alcohol, solvents or other products not recommended for chrome.</p> <p>All information is for reference only, installation shall always be based on the actual product delivered.</p>
------------------	--