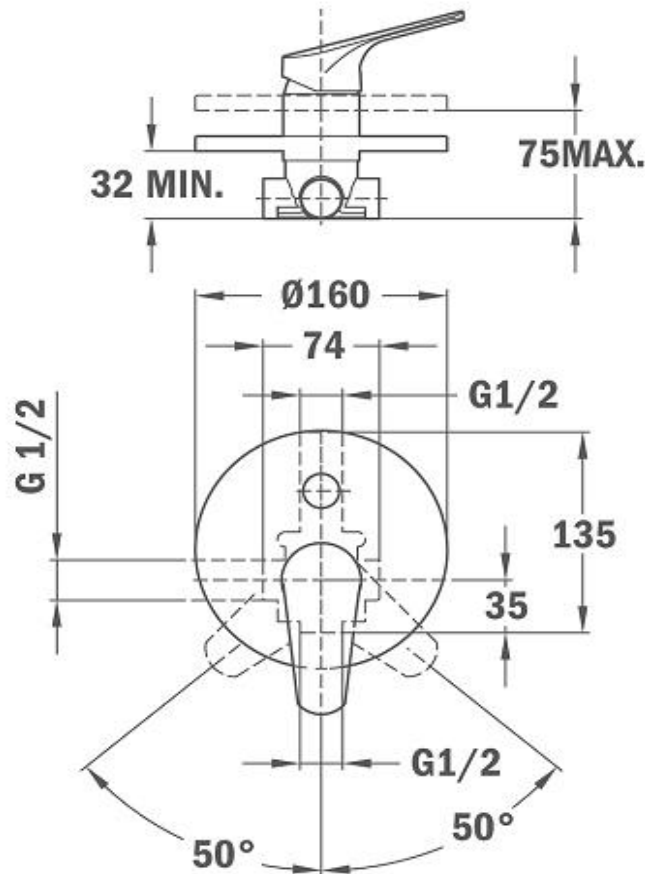


## SPECIFICATION SHEET - sanitary faucets

<b>BRAND:</b>		<b>Product Photo:</b>  
<b>ORIGIN:</b>	China	
<b>SERIES:</b>	<b>MT PLUS</b>	
<b>PRODUCT DESCRIPTION:</b>	<b>Concealed bath/shower mixer, with</b> Without shower set Concealed part 40mm cartridge included Operation pressure 1~5 bar (14~73 psi)	
<b>MODEL No.</b>	46.171.0200	
<b>FINISH/COLOUR:</b>		
<b>DIMENSIONS:</b>		
<b>OPTIONAL MATCHING PARTS:</b>	handshower, overhead shower, or bath spout	

**Technical Informations:**



<b>REMINDER:</b>	<p style="color: magenta;">Pipe flushing must be done before faucets are installed. Failure to do so voids the warranty.</p> <p>Do not use cleaners containing abrasive cleansers, ammonia, bleach, acids, waxes, alcohol, solvents or other products not recommended for chrome.</p> <p>All information is for reference only, installation shall always be based on the actual product delivered.</p>
------------------	---