

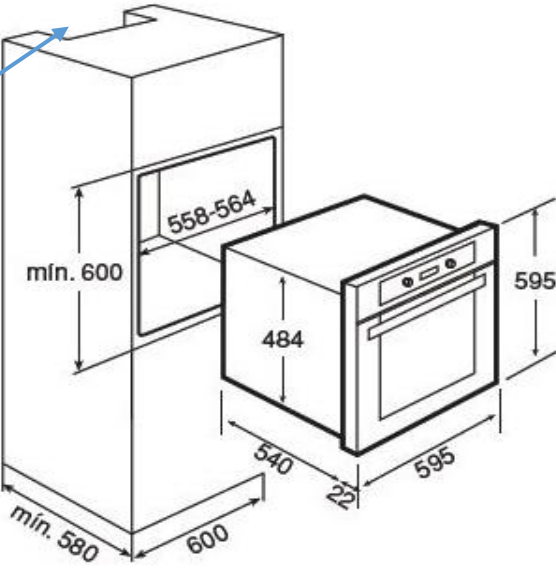


SPECIFICATION SHEET - appliances

BRAND:		Product Photo: 
ORIGIN:	Spain	
SERIES:	ADVAND	
PRODUCT DESCRIPTION:	Built-in Hydroclean cleaning system, with: Energy class A 15 cooking functions Capacity : 57/65 litres (net/gross) 17 programmed recipes Touch Control panel with LCD display Drop down maxi grill 2 Plus Extraction telescopic guides Meat probe device Forced ventilation with Mix Chamber System (MCS) Children safety block Full glass inner door & Triple glazed door Deep tray and baking tray Reinforced grid	
MODEL No.	4155.8710	
FINISH/COLOUR:	Fingerprint proof stainless steel	
DIMENSIONS:	595 x595 x 562 mm	
OPTIONAL MATCHING PARTS:		

Technical Informations:
 Voltage: 220V / 50~60 Hz
 Wattage: 3268 Watts
 Phase: single+grounding

Ventilation duct min. 500 cm²



REMINDER:	Do not use cleaners containing abrasive cleansers, ammonia, bleach, acids, waxes, alcohol, solvents or other products not recommended for chrome. All information is for reference only, installation shall always be based on the actual product delivered.
------------------	---