


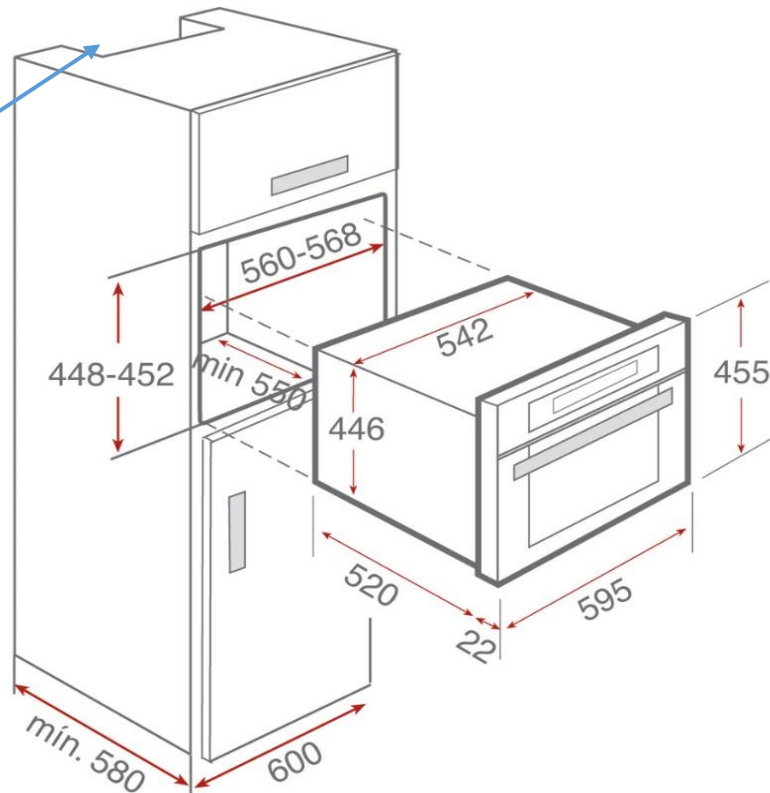
## SPECIFICATION SHEET - appliances

<b>BRAND:</b>		<b>Product Photo:</b>  
<b>ORIGIN:</b>	Spain	
<b>SERIES:</b>	<b>ADVAND</b>	
<b>PRODUCT DESCRIPTION:</b>	<b>Built-in steam oven HKL-940S, with:</b> Capacity: 38 litres Digital display Boiling temperature (40 °, 80 °, 100 ° C) Pop-up control knobs 3 Temperature output Removable 1.4 liter water tank Water indicator forced-ventilation	
<b>MODEL No.</b>	4058.9101	
<b>FINISH/COLOUR:</b>	Fingerprint proof stainless steel	
<b>DIMENSIONS:</b>	595 x595 x 562 mm	
<b>OPTIONAL MATCHING PARTS:</b>		

**Technical Informations:**

Voltage: 220V / 50~60 Hz  
 Wattage: 1500 watts  
 Phase: single+grounding

Ventilation duct min. 500 cm<sup>2</sup>



<b>REMINDER:</b>	Do not use cleaners containing abrasive cleansers, ammonia, bleach, acids, waxes, alcohol, solvents or other products not recommended for chrome.
	All information is for reference only, installation shall always be based on the actual product delivered.