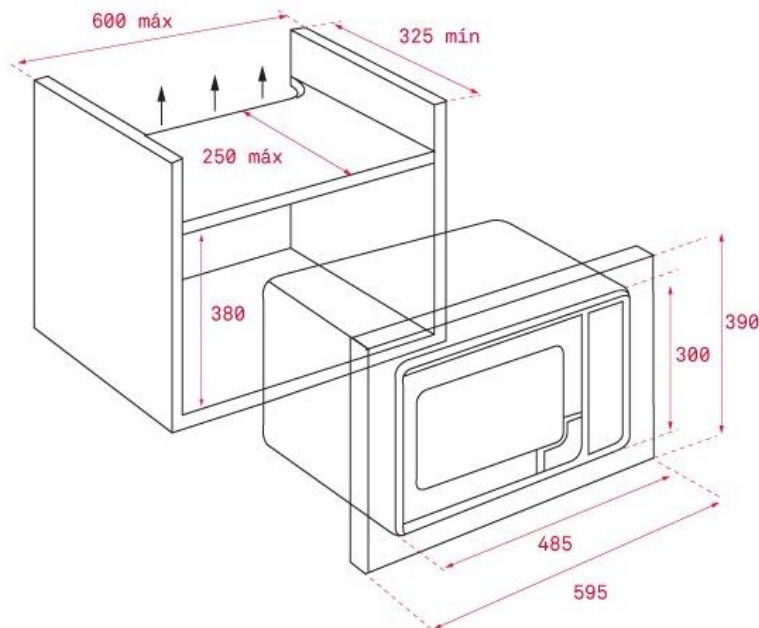


SPECIFICATION SHEET - appliances

BRAND:		Product Photo:
ORIGIN:	Spain	
SERIES:		
PRODUCT DESCRIPTION:	ML.820 BIS L Microwave + Grill - built in 20 L. Touch Control panel with TFT white display 5 power levels 700w, 3 cooking functions double glazed door stainless steel inner cavity Quartz Grill 1000W left door opening	
MODEL No.	4058.4202	
FINISH/COLOUR:	Fingerprint proof stainless steel	
DIMENSIONS:	595 x 390 x 325mm	
OPTIONAL MATCHING PARTS:		

Technical Informations:

Voltage: 220V / 50~60 Hz
 Wattage: 1100Watts
 Phase: single+grounding



REMINDER:	Do not use cleaners containing abrasive cleansers, ammonia, bleach, acids, waxes, alcohol, solvents or other products not recommended for chrome. All information is for reference only, installation shall always be based on the actual product delivered.
------------------	---