


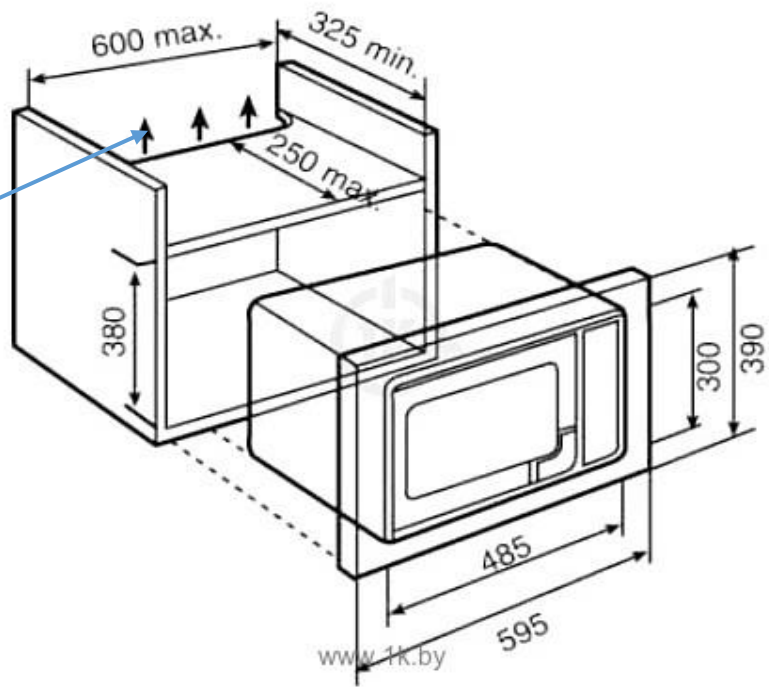
SPECIFICATION SHEET - appliances

BRAND:		Product Photo: 
ORIGIN:	Spain	
SERIES:	ADVAND	
PRODUCT DESCRIPTION:	<p>Built-in-Microwave +grill MWL.20 BIS, with:</p> <ul style="list-style-type: none"> Capacity : 18 litres 5 microwave power levels (800 W.) Manual multi-programmer Grill 1000 W Double microwave input Electronic control panel Stainless steel inner cavity Timer : 0-90 minutes Children safety block Built-in frame included One grid 	
MODEL No.	4058.3401	
FINISH/COLOUR:	Fingerprint proof stainless steel	
DIMENSIONS:	390 x 595 x 325 mm	
OPTIONAL MATCHING PARTS:		

Technical Informations:

Voltage: 220V / 50~60 Hz
 Wattage: 1200Watts
 Phase: single+grounding

Ventilation duct min. 500 cm²



REMINDER:	<p>Do not use cleaners containing abrasive cleansers, ammonia, bleach, acids, waxes, alcohol, solvents or other products not recommended for chrome.</p> <p>All information is for reference only, installation shall always be based on the actual product delivered.</p>
------------------	--