



SPECIFICATION SHEET - appliances

BRAND:		Product Photo: 
ORIGIN:	Spain	
SERIES:	ADVAND	
PRODUCT DESCRIPTION:	<p>Built-in Ceramic base microwave+grill MWL22EGL, with:</p> <ul style="list-style-type: none"> Capacity : 22 litres 9 direct access menus 5 microwave power levels (850 W.) 3 cooking memories Grill 1200 Watts Electronic door opening system Touch control panel with LCD display Pop up control knobs Automatic defrost by time & weight Timer: 0-90 minutes + 1 minute button Children safety block Double glazed door One grid Browning plate 	
MODEL No.	4058.2303	
FINISH/COLOUR:	Fingerprint proof stainless steel	
DIMENSIONS:	390 X 595 X 334 mm	
OPTIONAL MATCHING PARTS:		

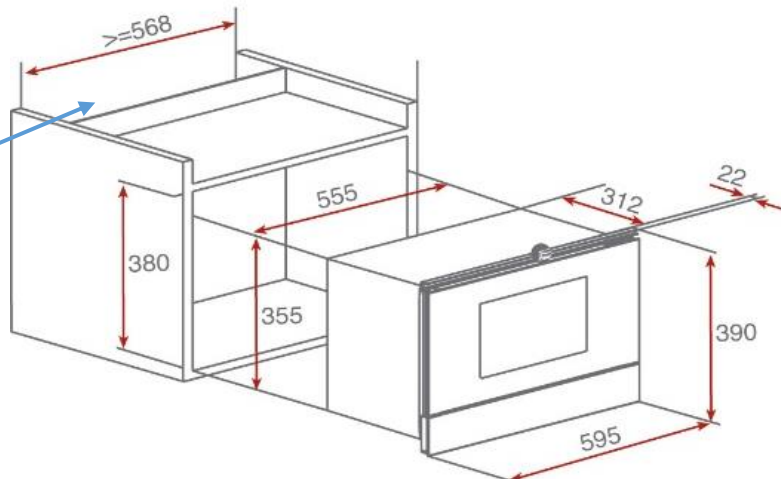
Technical Informations:

Voltage: 220V / 50~60 Hz

Wattage: 2500 Watts

Phase: single+grounding

Ventilation duct min. 500 cm²



REMINDER:	<p>Do not use cleaners containing abrasive cleansers, ammonia, bleach, acids, waxes, alcohol, solvents or other products not recommended for chrome.</p> <p>All information is for reference only, installation shall always be based on the actual product delivered.</p>
------------------	--