

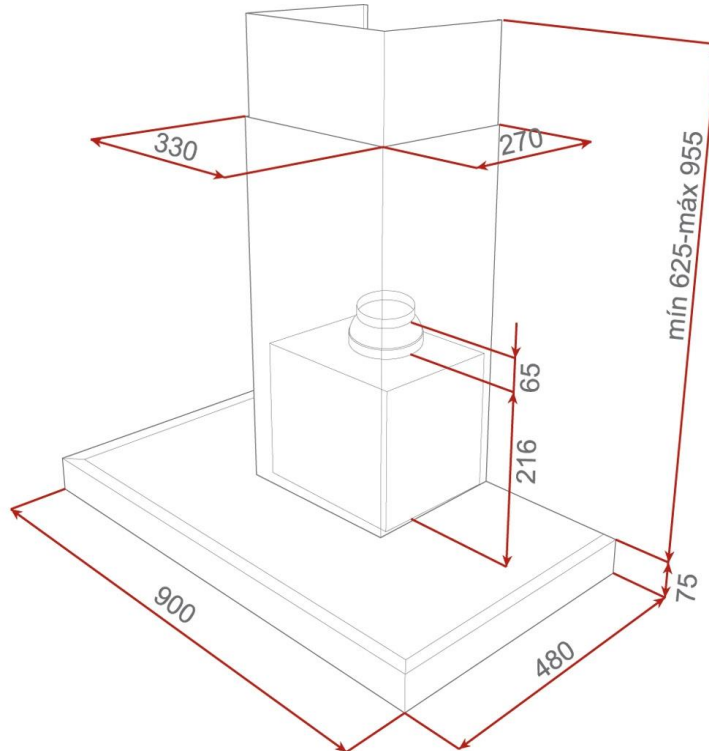


SPECIFICATION SHEET - appliances

BRAND:		Product Photo: 
ORIGIN:	Spain	
SERIES:	Decorative Hood	
PRODUCT DESCRIPTION:	Decorative Hood DPL.90 with: Digital touch control panel 3 speeds, 1 intensive, 4 LED lamps exhaust capacities: free outlet 920 m3/h maximum 631 m3/h minimum 315 m3/h	
MODEL No.	4048.3100	
FINISH/COLOUR:	Stainless Steel Panel	
DIMENSIONS:	900 x 480mm	
OPTIONAL MATCHING PARTS:		

Technical Informations:

Voltage: 220V / 50~60 Hz
 Power: 340 W
 Phase: single+grounding



REMINDER:	Do not use cleaners containing abrasive cleansers, ammonia, bleach, acids, waxes, alcohol, solvents or other products not recommended for chrome. All information is for reference only, installation shall always be based on the actual product delivered.
------------------	---