


SPECIFICATION SHEET - appliances

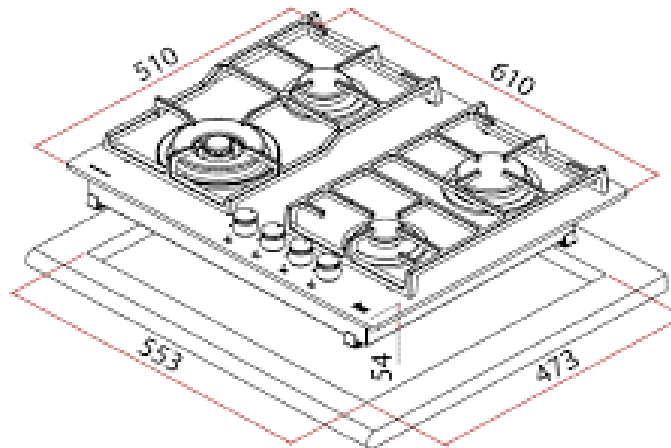
BRAND:		Product Photo: 
ORIGIN:	Spain	
SERIES:	GAS ON GLASS	
PRODUCT DESCRIPTION:	Built-in gas hob on glass, with: Triple ring burner glass stop with Cast iron grids Auto-ignition Auto-lock safety device 4 cooking zones: 1 triple ring (4.0 kW) 1 fast burner (2.8 kW) 1 semi-fast burner (1.75 kW) 1 auxiliary burner (1 kW) Gas typology: LPG	
MODEL No.	4021.6010	
FINISH/COLOUR:	Frameless tempered glass	
DIMENSIONS:	600 x 510 mm	
OPTIONAL MATCHING PARTS:		

Technical Informations:

Voltage: 220V / 50~60 Hz

Wattage: 0.6 watts

Phase: single+grounding



ATTENTION: Cut hole must be with round corners in order to avoid cracking on the counter-top.

REMINDER:	Do not use cleaners containing abrasive cleansers, ammonia, bleach, acids, waxes, alcohol, solvents or other products not recommended for chrome. All information is for reference only, installation shall always be based on the actual product delivered.
------------------	---