

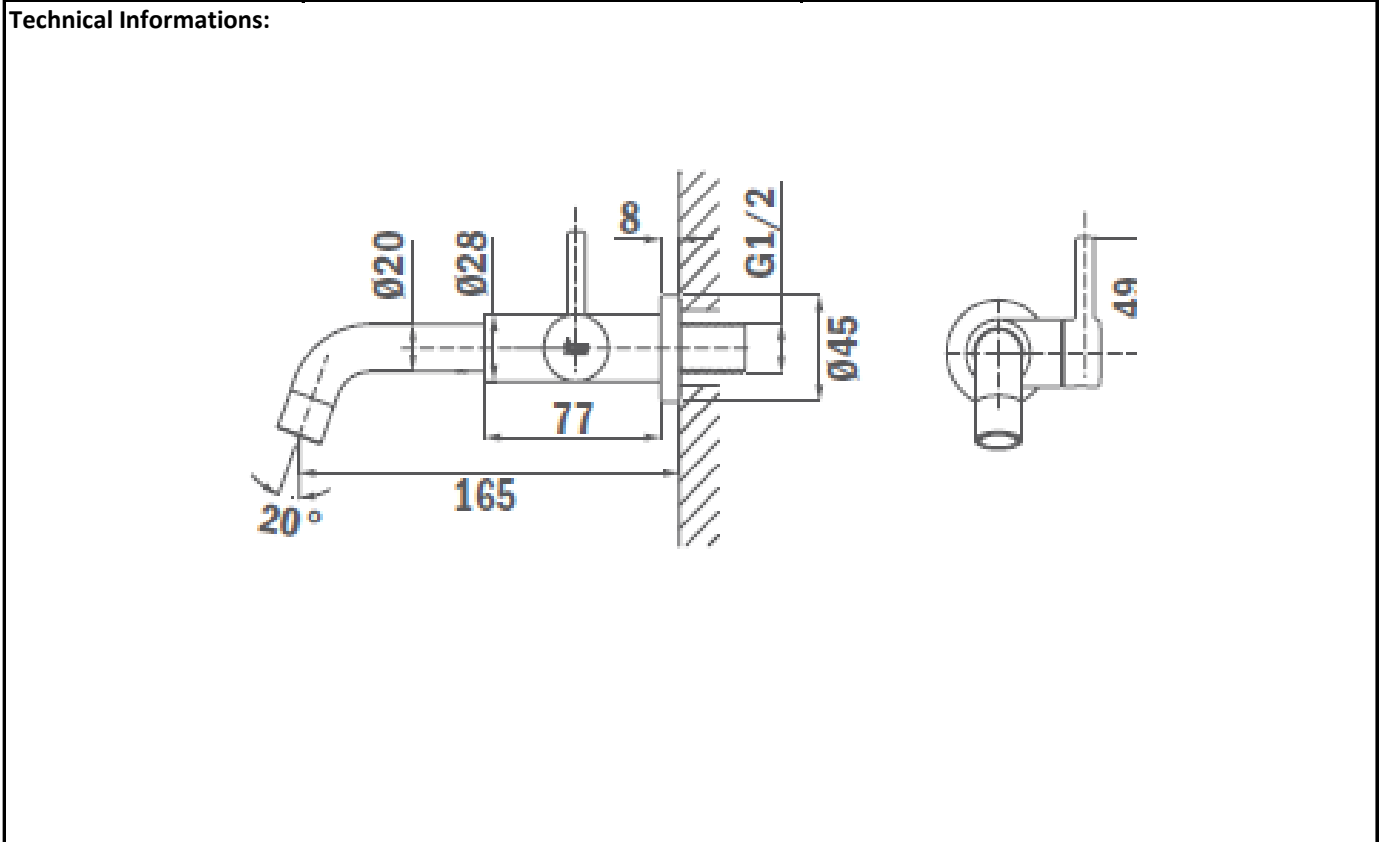


SPECIFICATION SHEET - sanitary faucets

| | | |
|---------------------------------|---|--|
| BRAND: |  | Product Photo:  |
| ORIGIN: | China | |
| SERIES: | SINK TAPS | |
| PRODUCT DESCRIPTION: | IN148 Sink Wall Tap (cold water) | |
| MODEL No. | 16.148.02 | |
| FINISH/COLOUR: | chrome-plated | |
| DIMENSIONS: | 165mm spout projection | |
| OPTIONAL MATCHING PARTS: | | |



| | |
|------------------|---|
| REMINDER: | <p style="color: magenta;">Pipe flushing must be done before faucets are installed. Failure to do so voids the warranty.</p> <p>Do not use cleaners containing abrasive cleansers, ammonia, bleach, acids, waxes, alcohol, solvents or other products not recommended for chrome.</p> <p>All information is for reference only, installation shall always be based on the actual product delivered.</p> |
|------------------|---|