


SPECIFICATION SHEET - appliances

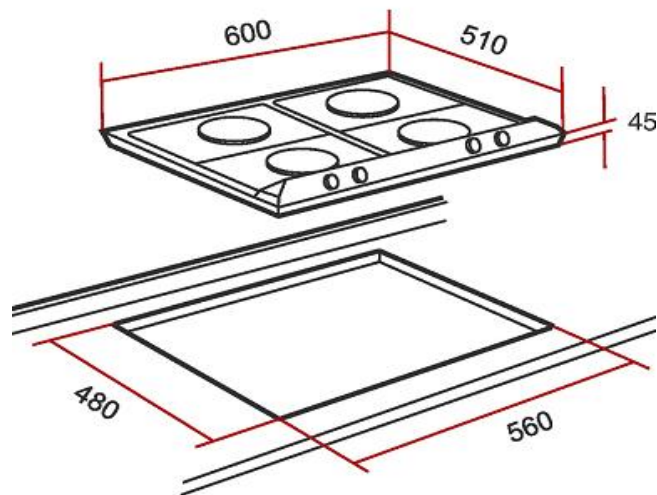
BRAND:		Product Photo: 
ORIGIN:	Spain	
SERIES:	GAS & ELECTRIC HOB	
PRODUCT DESCRIPTION:	Built-in gas/electric hob EM/60.3G.1P.AI.AL.TR.CI , with Grid options: Cast iron or enamelled Metal looking frontal knobs Auto-ignition Auto-lock safety device 4 cooking zones : 1 triple ring gas burner (3.8 kw) 1 semi-fast burner (1.75 kW) 1 auxiliary burner (1 kW) 1 electric plate 145 mm Ø (1.5 kW) Gas typology : LPG	
MODEL No.	1020.9640	
FINISH/COLOUR:	INOX STEEL	
DIMENSIONS:	600 X 510 mm	
OPTIONAL MATCHING PARTS:	Hob lid (optional)	

Technical Informations:

Voltage: 220V / 50~60 Hz

Wattage: 1500 Watts

Phase: single+grounding



ATTENTION: **Cut hole must be with round corners in order to avoid cracking on the counter-top.**
Be aware of the big burner at the back may affect the upturn of the counter-top.

REMINDER:	Do not use cleaners containing abrasive cleansers, ammonia, bleach, acids, waxes, alcohol, solvents or other products not recommended for chrome. All information is for reference only, installation shall always be based on the actual product delivered.
------------------	---