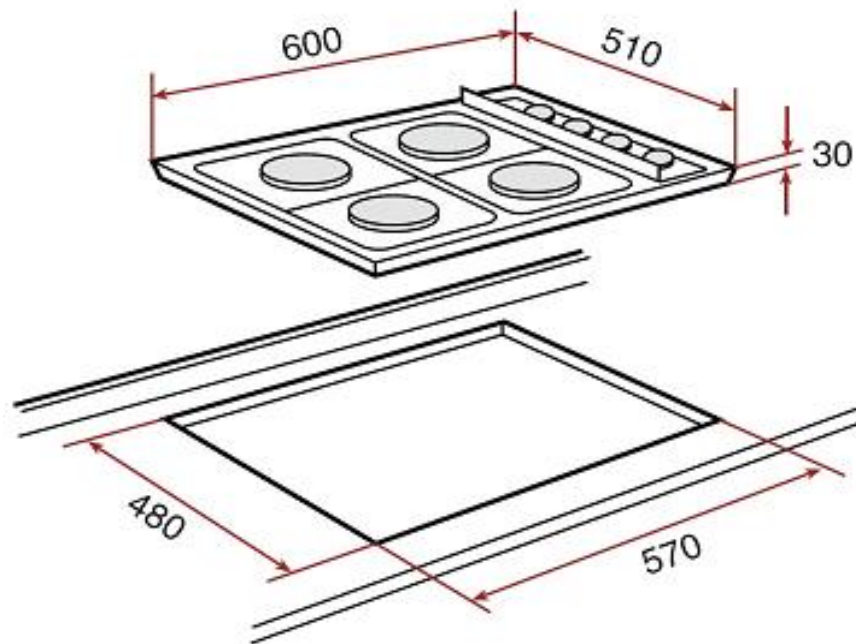


## SPECIFICATION SHEET - appliances

<b>BRAND:</b>		<b>Product Photo:</b>  
<b>ORIGIN:</b>	Spain	
<b>SERIES:</b>	ELECTRIC HOBS	
<b>PRODUCT DESCRIPTION:</b>	<b>Built-in electric hob E/60.2.4P, with:</b> Lateral control knobs stainless steel body 4 cooking zones 2 x 1.5 kW 180 mm solid plates 1 x 1.5 kW 145 mm plate 1 x 1.1 kW 145 mm plate	
<b>MODEL No.</b>	1020.6607	
<b>FINISH/COLOUR:</b>	INOX STEEL	
<b>DIMENSIONS:</b>	600 x 510 mm	
<b>OPTIONAL MATCHING</b>		

**Technical Informations:**

Voltage: 220V / 50~60 Hz  
 Wattage: 5,500 Watts  
 Phase: single+grounding



**ATTENTION:** Cut hole must be with round corners in order to avoid cracking on the counter-top.

<b>REMINDER:</b>	Do not use cleaners containing abrasive cleansers, ammonia, bleach, acids, waxes, alcohol, solvents or other products not recommended for chrome.
	All information is for reference only, installation shall always be based on the actual product delivered.