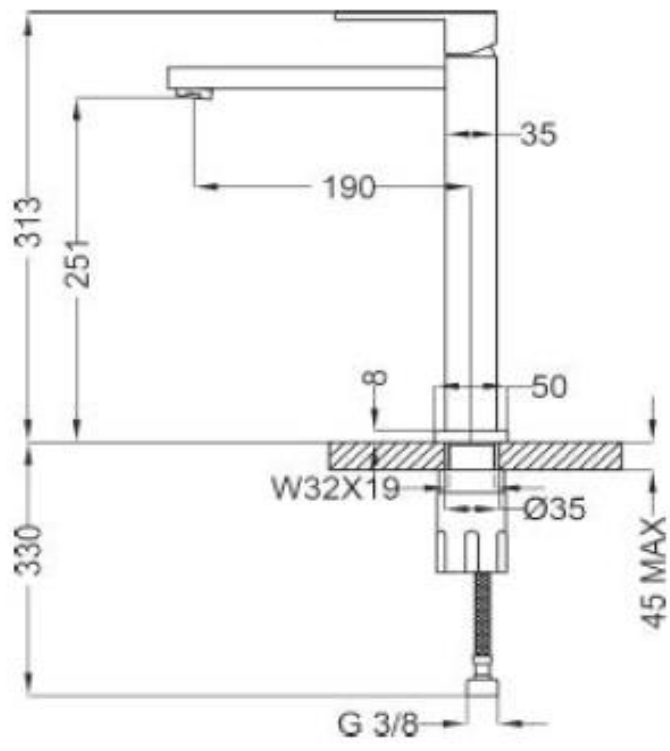


SPECIFICATION SHEET - fittings

BRAND:		Product Photo:
ORIGIN:	Italy	
SERIES:	SINK MIXERS	
PRODUCT DESCRIPTION:	Single lever sink mixer with swivel high spout	
MODEL No.	8G545	
FINISH/COLOUR:	Chrome	
DIMENSIONS:	313mm height 190mm spout projection	
OPTIONAL MATCHING PARTS:	2x angle valve 1/2"x3/8" (no nuts)	

Technical Informations:



REMINDER:	<p style="color: magenta;">Pipe flushing must be done before faucets are installed. Failure to do so voids the warranty.</p> <p>Do not use cleaners containing abrasive cleansers, ammonia, bleach, acids, waxes, alcohol, solvents or other products not recommended for chrome.</p> <p>All information is for reference only, installation shall always be based on the actual product delivered.</p>
------------------	---