

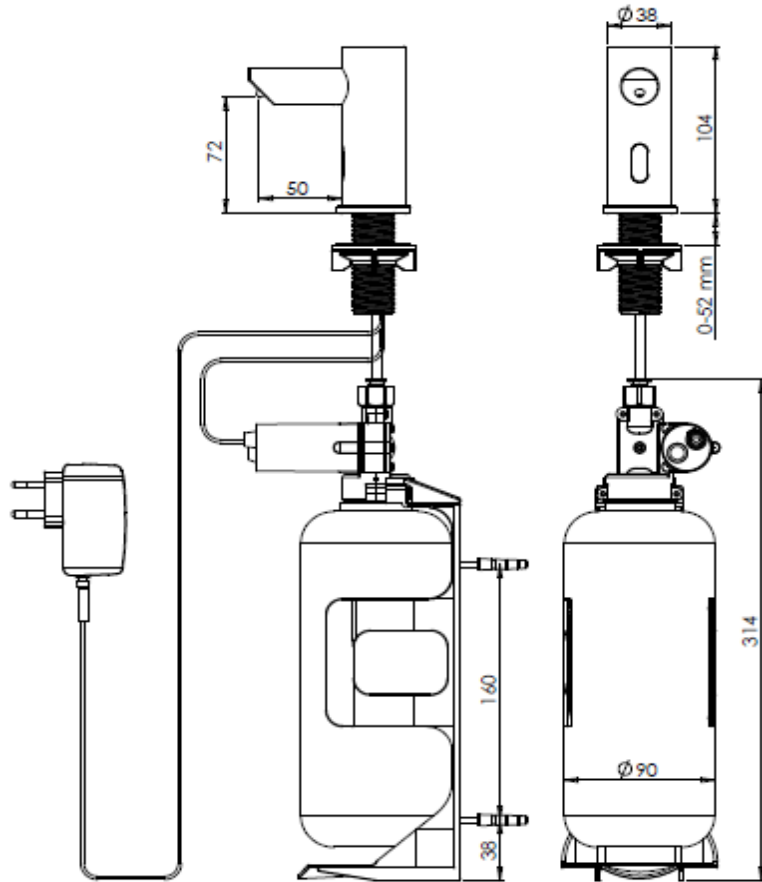


SPECIFICATION SHEET - fittings

BRAND:		Product Photo: 
ORIGIN:	Israel	
SERIES:	SMART E	
PRODUCT DESCRIPTION:	Infrared sensor soap dispenser, AX230V/50~60Hz supply with 9V transformer	
MODEL No.	235900	
FINISH/COLOUR:	Chrome plated	
DIMENSIONS:	104mm H 50mm spout projection	
OPTIONAL MATCHING PARTS:	High quality liquid soap	

Technical Informations:



REMINDER:	Selective high quality soap must be used to avoid blocking.
	Do not use cleaners containing abrasive cleansers, ammonia, bleach, acids, waxes, alcohol, solvents or other products not recommended for chrome.
	All information is for reference only, installation shall always be based on the actual product delivered.