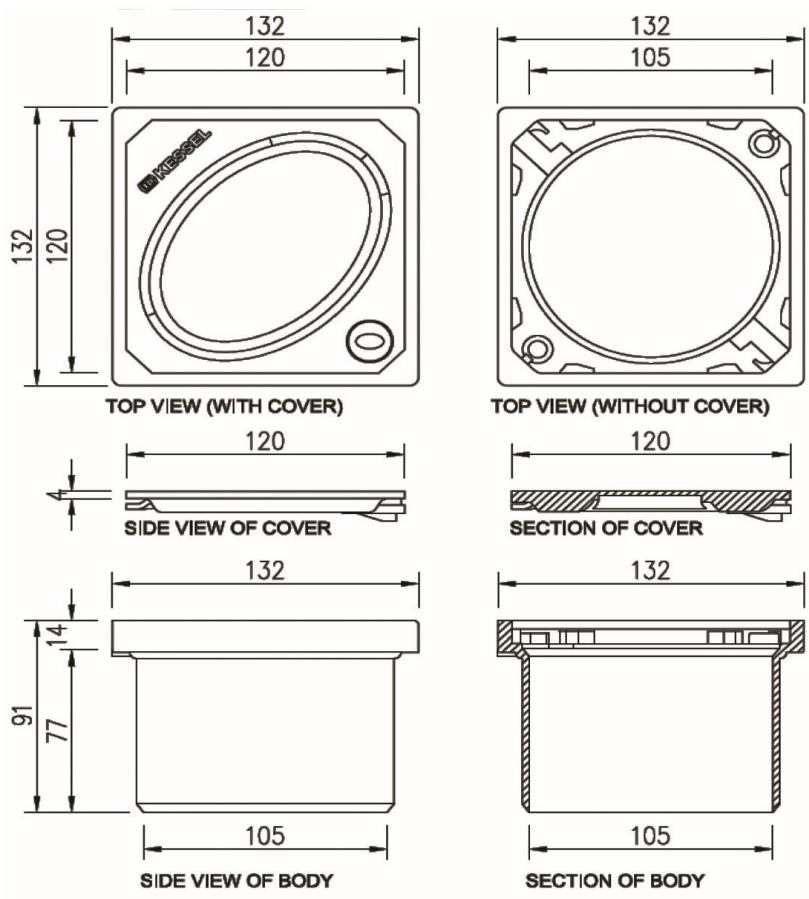


SPECIFICATION SHEET - Plumbing fittings

BRAND:		Product Photo:
ORIGIN:	Germany	
SERIES:	DRAIN SYSTEMS	
PRODUCT DESCRIPTION:	Upper section ABS with stainless steel cover and rim 120mm, 300kg class load with KESSEL Lock & Lift System with oval design cover	
MODEL No.	27202	
FINISH/COLOUR:		
DIMENSIONS:	132mm x 132mm x 91mm	
OPTIONAL MATCHING PARTS:	40251 drain body	

Technical Informations:



REMINDER:	<p style="color: magenta;">Pipe flushing must be done before faucets are installed. Failure to do so voids the warranty.</p> <p>Do not use cleaners containing abrasive cleansers, ammonia, bleach, acids, waxes, alcohol, solvents or other products not recommended for chrome.</p> <p>All information is for reference only, installation shall always be based on the actual product delivered.</p>
------------------	---