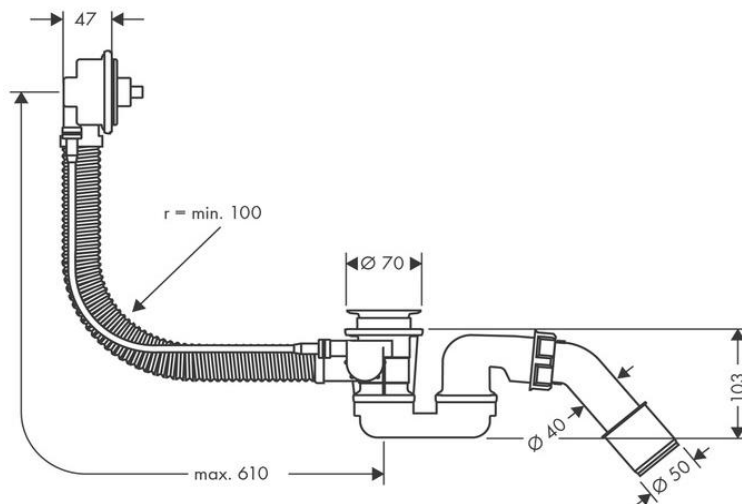


SPECIFICATION SHEET - fittings

BRAND:	hansgrohe	Product Photo: 
ORIGIN:	Germany	
SERIES:	Concealed part	
PRODUCT DESCRIPTION:	Basic part for Flexaplus bath pop-up waste <ul style="list-style-type: none"> for standard size bathtub with 56373000 trap maintenance opening required 	
MODEL No.	58140 180	
FINISH/COLOUR:	---	
DIMENSIONS:	---	
OPTIONAL MATCHING PARTS:	58185000 Finish set	

Technical Informations:



REMINDER:	<p style="color: magenta;">Pipe flushing must be done before faucets are installed. Failure to do so voids the warranty.</p> <p>Do not use cleaners containing abrasive cleansers, ammonia, bleach, acids, waxes, alcohol, solvents or other products not recommended for chrome.</p> <p>All information is for reference only, installation shall always be based on the actual product delivered.</p>
------------------	---