
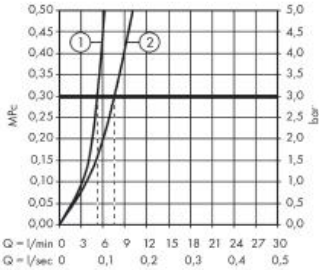


## SPECIFICATION SHEET - fittings

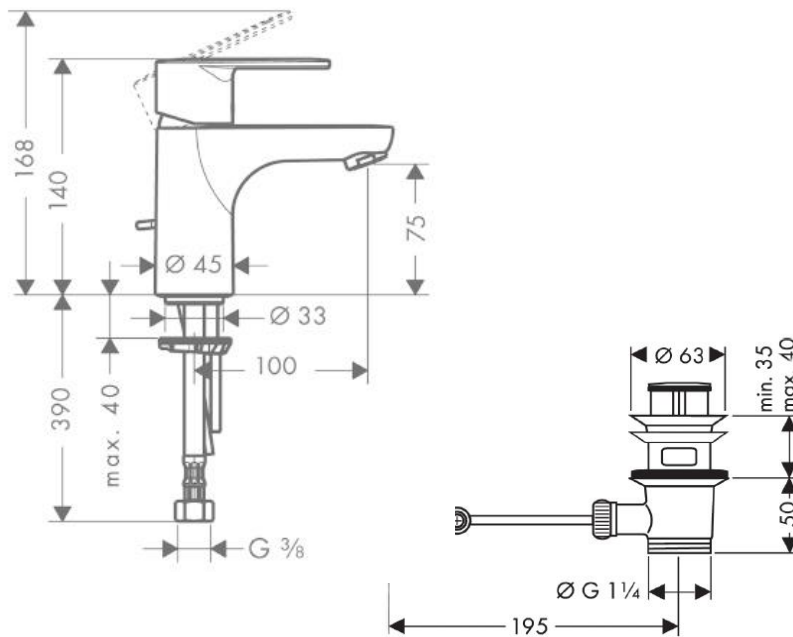
|                                 |   |
|---------------------------------|---|
| <b>BRAND:</b>                   | <b>hansgrohe</b>  |
| <b>ORIGIN:</b>                  | Germany   |
| <b>SERIES:</b>                  | <b>Talis E<sup>2</sup></b>  |
| <b>PRODUCT DESCRIPTION:</b>     | Single lever basin mixer<br>• with pop-up waste set G 1 ¼"<br>• ComfortZone 80<br>• normal spray<br>• flow rate: 5 l/min at 3 bars (45 psi)<br>• flow pressure 1~5 bars (15~70 psi) |
| <b>MODEL No.</b>                | 31612 000   |
| <b>FINISH/COLOUR:</b>           | Chrome-plated   |
| <b>DIMENSIONS:</b>              | 168mm Height<br>100mm spout projection  |
| <b>OPTIONAL MATCHING PARTS:</b> | 2x angle valve ½"x10mm (no nuts)<br>1x basin waste trap 1¼"   |

**Product Photo:**

① with flow limiter  
② without flow limiter

**Technical Informations:** Suitable for continous flow water heater



**REMINDER:** Pipe flushing must be done before faucets are installed. Failure to do so voids the warranty.  
 Do not use cleaners containing abrasive cleansers, ammonia, bleach, acids, waxes, alcohol, solvents or other products not recommended for chrome.  
 All information is for reference only, installation shall always be based on the actual product delivered.