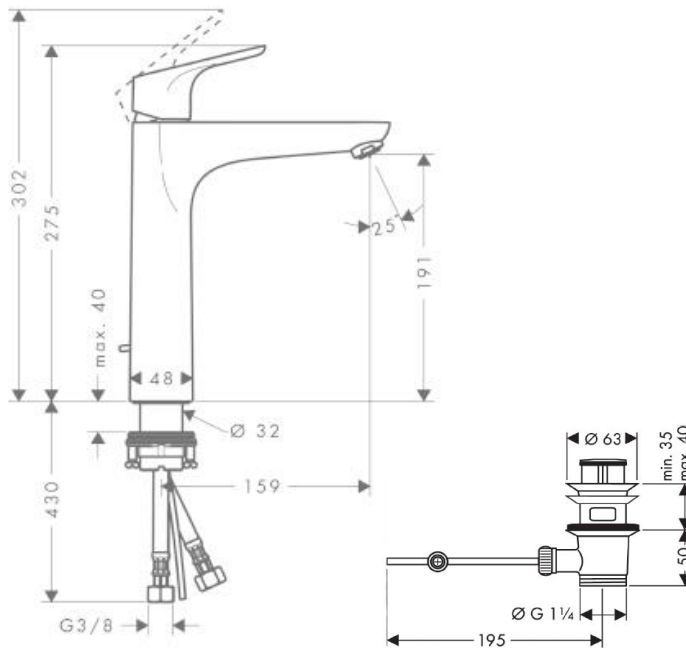


## SPECIFICATION SHEET - fittings

<b>BRAND:</b>	<b>hansgrohe</b>	<b>Product Photo:</b>  
<b>ORIGIN:</b>	Germany	
<b>SERIES:</b>	<b>Focus E2</b>	
<b>PRODUCT DESCRIPTION:</b>	Single lever tall basin mixer 190 • with pop-up waste set G 1 ¼" • ComfortZone 190 • normal spray • flow rate: 5 l/min at 3 bars (45 psi) • flow pressure 1~5 bars (15~70 psi)	
<b>MODEL No.</b>	31608 000	
<b>FINISH/COLOUR:</b>	Chrome-plated	
<b>DIMENSIONS:</b>	302mm Height 159mm spout projection	
<b>OPTIONAL MATCHING PARTS:</b>	2x angle valve ½"x10mm (no nuts) 1x basin waste trap 1¼"	

**Technical Informations:** Suitable for continous flow water heater



<b>REMINDER:</b>	<p style="color: magenta;"><b>Pipe flushing must be done before faucets are installed. Failure to do so voids the warranty.</b></p> <p>Do not use cleaners containing abrasive cleansers, ammonia, bleach, acids, waxes, alcohol, solvents or other products not recommended for chrome.</p> <p>All information is for reference only, installation shall always be based on the actual product delivered.</p>
------------------	--