
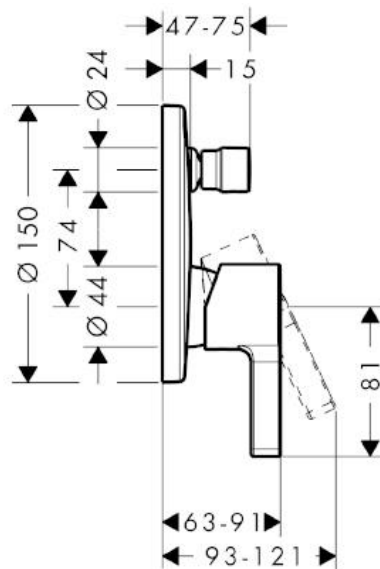


SPECIFICATION SHEET - fittings

BRAND:	hansgrohe	Product Photo: 
ORIGIN:	Germany	
SERIES:	Metris S	
PRODUCT DESCRIPTION:	Finish set for wall concealed single lever bath/shower mixer • matching basic set 01800180 • with round front plate Ø150mm • normal spray • automatic diverter • flow rate: 20 l/min at 3 bars (45 psi) • flow pressure 1~5 bars (15~70 psi)	
MODEL No.	31465 000	
FINISH/COLOUR:	Chrome-plated	
DIMENSIONS:	front plate 155x155mm thickness from wall 121mm	
OPTIONAL MATCHING PARTS:	01800180 Basic concealed part for bath/shower mixer Shower set	

Technical Informations:



Optional concealed part 01800180 must be required, refer to related Specification Sheet

REMINDER:	Pipe flushing must be done before faucets are installed. Failure to do so voids the warranty.
	Do not use cleaners containing abrasive cleansers, ammonia, bleach, acids, waxes, alcohol, solvents or other products not recommended for chrome.
	All information is for reference only, installation shall always be based on the actual product delivered.